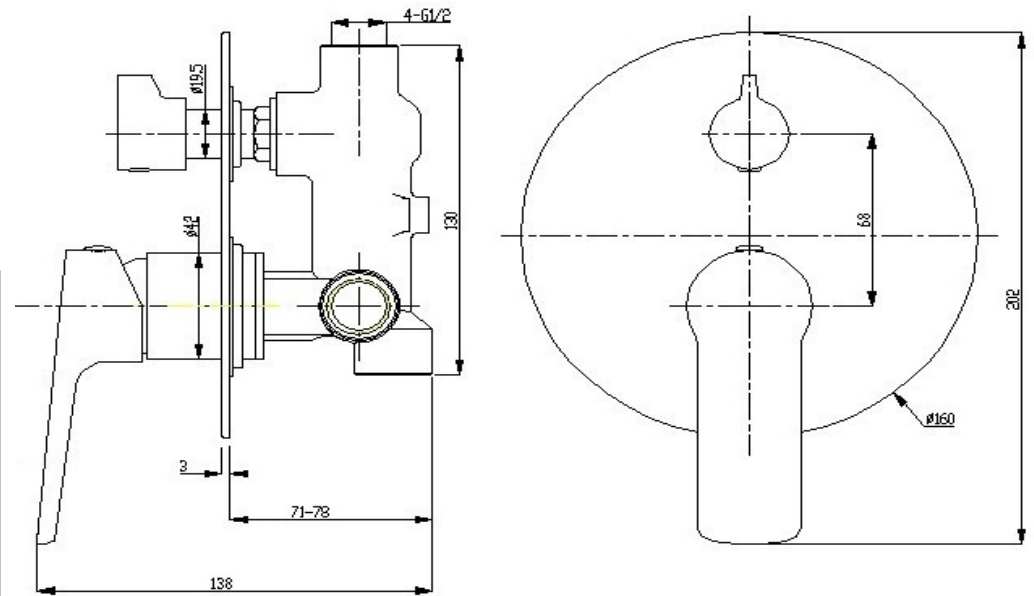




## AKEMI DIVERTER MIXER BLACK/BRUSHED NICKEL 10346BNP

- Contemporary new design
- Available in chrome & 6 finishes
- 15 year conditional warranty
- Maximum operating pressure 500kpa
- Minimum operating pressure 150kpa
- Maximum water temperature 80 degrees
- Must be installed by a licensed plumber



**MILLENNIUM TAPWARE** by Peter W. Eldering Pty. Ltd.  
 NSW: 7 HARLEY CRES, CONDELL PARK, NSW 2200, PH: 02 9791 9655  
 FAX: 02 9791 9611 E: sales@eldering.com.au  
 QLD: 5/30 McCOTTER ST, ACACIA RIDGE, QLD 4110, PH: 07 3273 1071  
 FAX 07 3273 4038 E: qld@millenniumtapware.com.au  
[www.millenniumtapware.com.au](http://www.millenniumtapware.com.au)