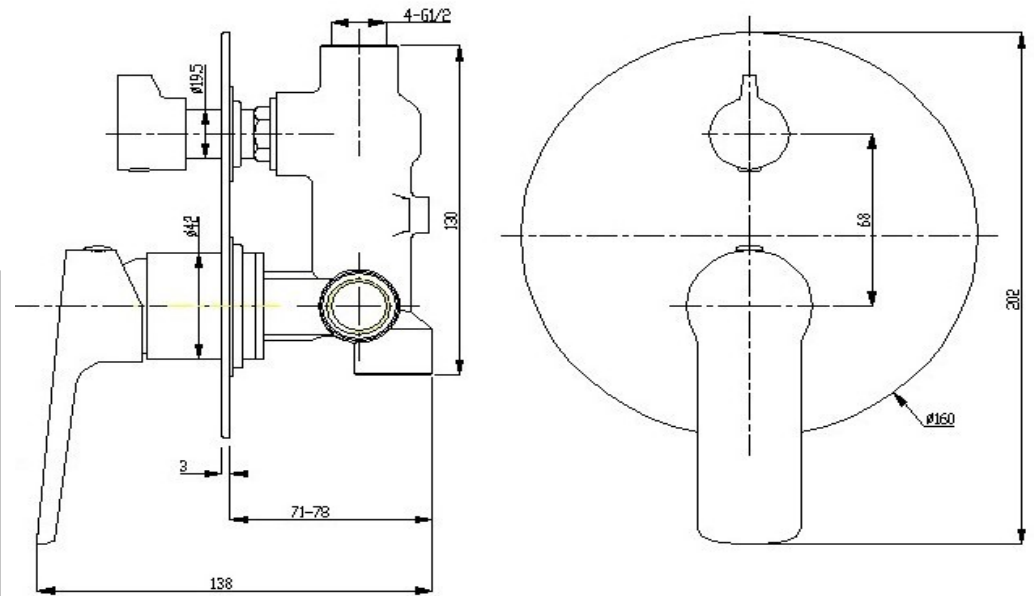




## AKEMI DIVERTER MIXER WHITE/CHROME 10349

- Contemporary new design
- Available in chrome & 6 finishes
- 15 year conditional warranty
- Maximum operating pressure 500kpa
- Minimum operating pressure 150kpa
- Maximum water temperature 80 degrees
- Must be installed by a licensed plumber



### **MILLENNIUM TAPWARE** by Peter W. Eldering Pty. Ltd.

NSW: 7 HARLEY CRES, CONDELL PARK, NSW 2200, PH: 02 9791 9655

FAX: 02 9791 9611 E: sales@eldering.com.au

QLD: 5/30 McCOTTER ST, ACACIA RIDGE, QLD 4110, PH: 07 3273 1071

FAX 07 3273 4038 E: qld@millenniumtapware.com.au

[www.millenniumtapware.com.au](http://www.millenniumtapware.com.au)