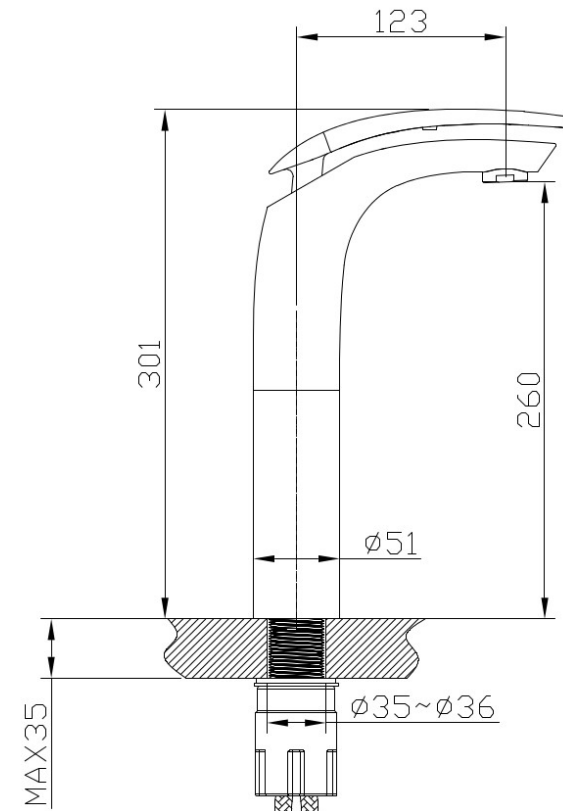




CELINE HI RISE VESSEL MIXER CP 10378

- Contemporary new design
- Available in chrome, black/chrome, white/chrome
- Wels Rating 5 Star 6 LPM
- Maximum operating pressure 500kpa
- Minimum operating pressure 150kpa
- Maximum water temperature 80 degrees
- Must be installed by a licensed plumber
- Must have isolation cocks installed inline before the mixer



MILLENNIUM TAPWARE by Peter W. Eldering Pty. Ltd.

NSW: 7 HARLEY CRES, CONDELL PARK, NSW 2200, PH: 02 9791 9655

FAX: 02 9791 9611 E: sales@eldering.com.au

QLD: 5/30 McCOTTER ST, ACACIA RIDGE, QLD 4110, PH: 07 3273 1071

FAX 07 3273 4038 E: qld@millenniumtapware.com.au

www.millenniumtapware.com.au