

Chios 515

Collection: Essential
Former name: Fotia 515



Wall basin, D-shaped | Optional shroud

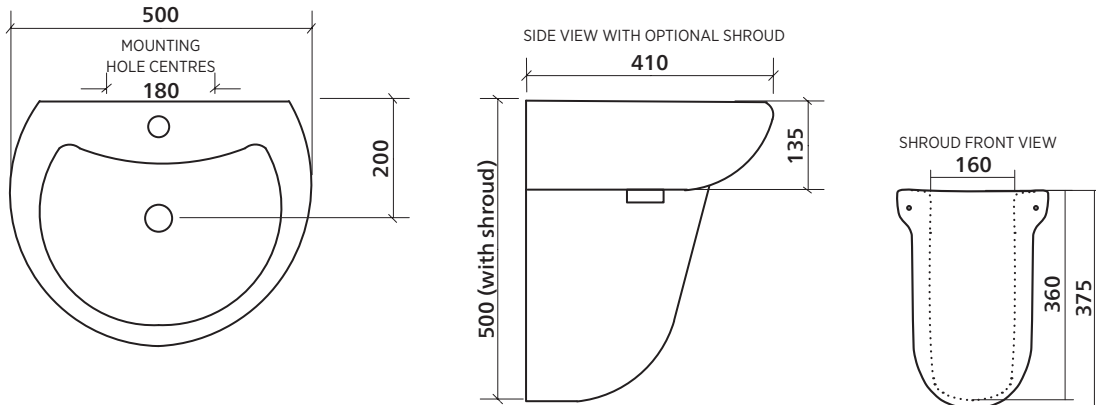
This modern, practical basin maximises bowl capacity in a compact space. The optional shroud covers wall exit pipes. Or use a chrome bottle trap for a different look with exposed plumbing.

Order codes


191494	Chios 515, 1 taphole	Old code: SBC-515
191495	Chios 515, 3 tapholes	Old code: SBC-515-3T
191496	Ceramic shroud for Chios 515 (optional extra)	Old code: SBC-515-S

Product details

WASTE	Suits standard 32 mm waste with overflow (not supplied).
TRAP	Wall basin can be used with chrome bottle trap, subject to local licensing authorities.
CAPACITY	5 litres.
OVERFLOW	Standard with overflow.
MATERIAL	White vitreous china.
WALL FIXING	Basin fixing kit supplied.



Chios 515

 Basin has integrated overflow.

Premium Basin Wastes (AVAILABLE SEPARATELY)

POP-OUT BASIN WASTE – WITH CERAMIC CAP AND CHROME BASE

192258 Ceramic Pop-out Basin Waste, White Gloss
(Note: Ceramic caps are also available in other colours and finishes)

POP-OUT BASIN WASTE – WITH METAL CAP AND MATCHING BASE

192010 Pop-out Basin Waste – Chrome
192012 Pop-out Basin Waste – Brushed Nickel
192199 Pop-out Basin Waste – Gunmetal
192013 Pop-out Basin Waste – Brushed Gold
192009 Pop-out Basin Waste – White Matte
192011 Pop-out Basin Waste – Black Matte



basin wastes

SEIMA

kitchen + laundry + bathroom ware

seima.com.au

Please note

- All measurements are in millimetres.
- Dimensions are nominal and subject to normal ceramic manufacturing variations of ± 5 mm.
- Wastes, taps and bottle traps shown in images are not included unless specified.
- Fixing: Use silicone sealant. Do not use epoxy type adhesives.
- Always use the actual basin to verify cutout.
- Specifications may vary without notice as part of our continuous improvement practices.
- Clean with a damp cloth. Do not use abrasive cleaners, liquids or pastes.