

# Eva 600

Collection: Elevate  
Former name: Eva 600



## Ceramic laundry sink, 23 litres

A fresh, white ceramic sink is superbly functional for laundry, makes a great baby bath, easily doubles as a wash basin for guests and is also great for washing pets.

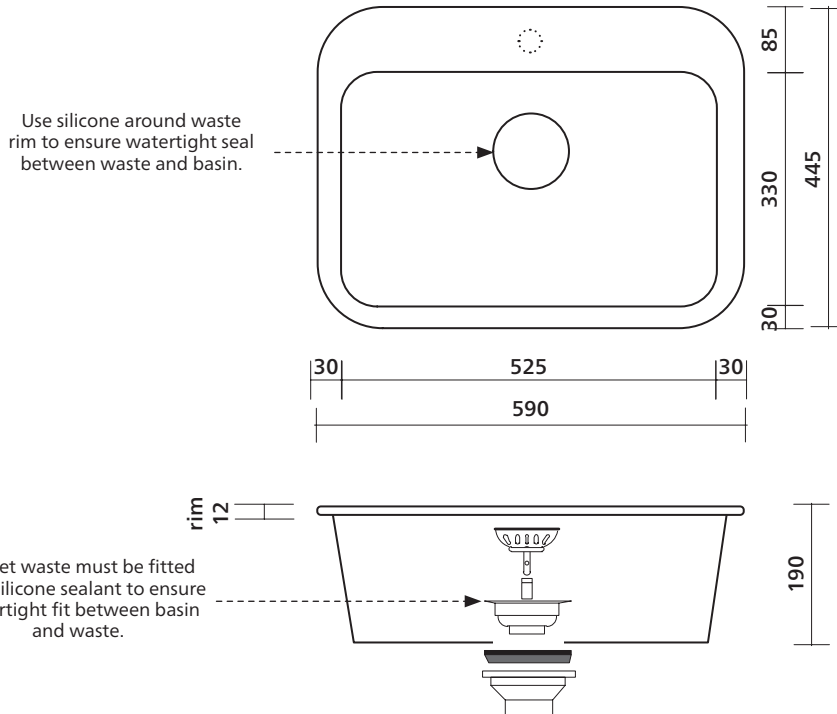
Eva's nanoglaze surface is ultra-smooth, dramatically reducing the ability of grime and bacteria to cling to the surface. Nanoglaze also contains antibacterial elements baked into the glaze that actively resist bacteria. This makes cleaning easier and the sink has a beautiful sheen.


### Order codes

|        |  |                      |
|--------|--|----------------------|
|        | <b>NO OVERFLOW</b>                               |                      |
| 191501 | Eva 600, 1 taphole                               | old code: SBC-600    |
| 191502 | Eva 600, no taphole                              | old code: SBC-600-0T |
|        | <b>OVERFLOW OPTION</b>                           |                      |
| 191940 | Eva 600, 1 taphole, overflow (at front of basin) |                      |

### Product details

|          |   |
|----------|---|
| WASTE    | 90 mm waste hole, stainless steel basket waste included.  |
| CAPACITY | 23 litres.  |
| OVERFLOW | Overflow option available. Stainless steel overflow at front of basin.<br>Washing machine bypass hose may be connected to nipple of PVC waste under bench (not included).                               |
| MATERIAL | White vitreous china with nanoglaze surface.  |
| FIXING   | Waste must be sealed with silicone sealant to ensure watertight fit between basin and waste.<br>Use silicone sealant. Do not use epoxy type adhesives.<br>Always use the actual basin to verify cutout. |



 Nanoglaze surface – ultra-smooth, anti-bacterial, easy to clean.

# SEIMA

kitchen + laundry + bathroom ware

seima.com.au

### Please note

- All measurements are in millimetres.
- Dimensions are nominal and subject to normal ceramic manufacturing variations of ±5mm.
- Fixing: Use silicone sealant. Do not use epoxy type adhesives.
- Always use the actual basin to verify cutout.
- Specifications may vary without notice as part of our continuous improvement practices.
- Clean with a damp cloth. Do not use abrasive cleaners, liquids or pastes.