

Chios 102 Tondo inset bath

Collection: Essential

Former name: Tondo 02 inset bath



Inset bath • 3 sizes

Streamlined design, clean lines, stippled slip-resistant area on the base.

- white sanitary grade acrylic
- resists chipping, natural slip resistance
- gloss finish
- excellent heat retention properties
- solid base support
- full resin reinforced
- full tile flange around bath
- suitable for built-in and island installation
- overflow version available

Order codes

NO OVERFLOW

| | | |
|--------|------------------------------------|------------------------|
| 191523 | Chios 102 Tondo inset bath, 1525mm | [old code: SBT-021525] |
| 191526 | Chios 102 Tondo inset bath, 1675mm | [old code: SBT-021675] |
| 191854 | Chios 102 Tondo inset bath, 1790mm | |

WITH OVERFLOW OPTION

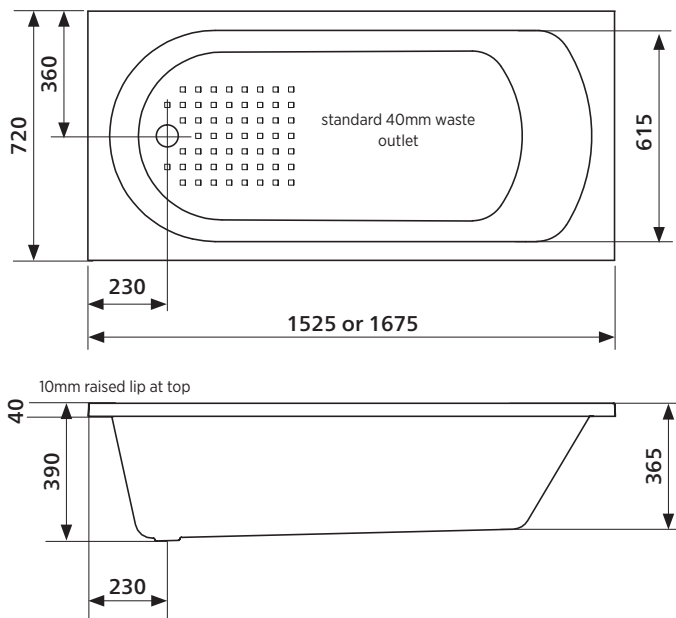
| | |
|--------|--|
| 191524 | Chios 102 Tondo inset bath, 1525mm, with overflow hole |
| 191527 | Chios 102 Tondo inset bath, 1675mm, with overflow hole |
| 192256 | Chios 102 Tondo inset bath, 1790mm, with overflow hole |

Order Bath Wastes and FlexiWaste Bath Kits and Overflow Kits separately.

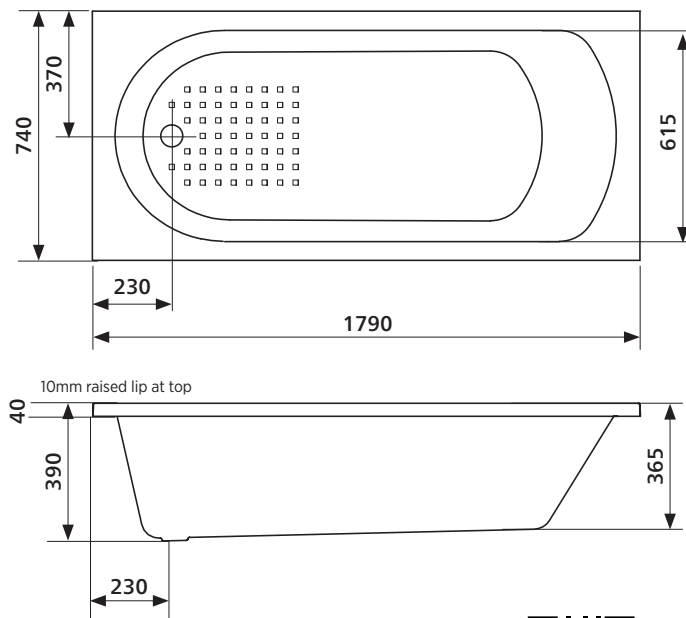
Product details

| | |
|----------|---|
| WASTE | Suits standard 40 mm waste |
| CAPACITY | 1525 length: 220 litres 1675 length: 250 litres |
| OVERFLOW | Optional overflow |
| FIXING | Use acetic cured silicone sealant. Do not use epoxy type adhesives. Always use the actual product to verify cutout. |

1525 AND 1675 LENGTHS



1790 LENGTH



Chios 102

SEIMA

kitchen + laundry + bathroom ware

seima.com.au

Please note

- All measurements are in millimetres.
- Dimensions are nominal and subject to normal manufacturing variations.
- Fixing: Use silicone sealant. Do not use epoxy type adhesives.
- Specifications may vary without notice as part of our continuous improvement practices.
- Clean with a damp cloth. Do not use abrasive cleaners, liquids or pastes.

Bath wastes and kits
(available separately)

