

Oros 620



HIGH NATURAL
MINERAL CONTENT



NON-POROUS
STAIN RESISTANT



RESISTANT TO HIGH
TEMPERATURES



SCRATCH AND
IMPACT RESISTANT



HYGIENIC
EASY TO CLEAN

Collection: Fusion



Arqstone – engineered stone – strong, durable, natural

Arqstone sinks, made in Europe from natural quartz, are extremely tough and resistant to high temperatures, scratching and stains. The high density stone surface is easy to clean and the smooth finish ensures a high level of hygiene.

- Square lines, smooth finish, made from pure natural quartz aggregate
- Designed for abovement installation, can be undermounted
- Exceptionally strong and durable
- Deep, large capacity bowl, easy to clean corners, 10mm radii
- Stainless steel basket waste

Order codes

WHITE

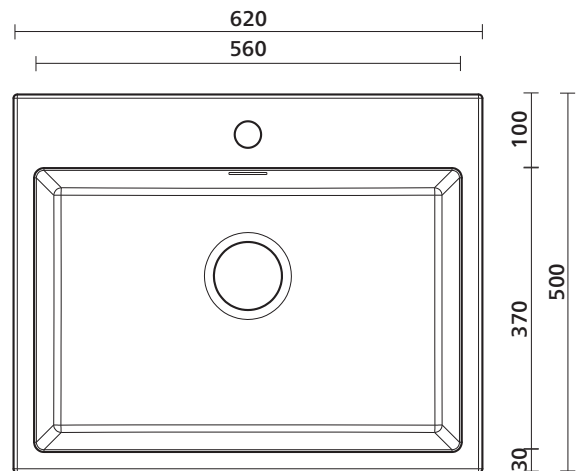
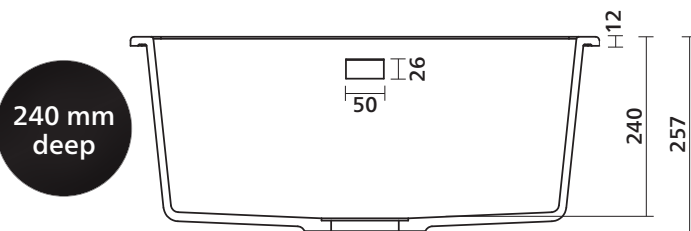
- 191984 Oros 620, white, 1 taphole
- 191985 Oros 620, white, 3 tapholes
- 191986 Oros 620, white, no taphole

BLACK

- 191987 Oros 620, black, 1 taphole
- 191988 Oros 620, black, 3 tapholes
- 191989 Oros 620, black, no taphole

Product details

- COLOURS Available in Arqstone white and black
- TAPHOLES 0, 1 or 3 tapholes
- OVERFLOW Integrated overflow
- WASTE 90 mm stainless steel basket waste
- BOWL SIZE 560 x 370 mm, 240 mm deep, rim 30 mm



240 mm deep




Arqstone white



Arqstone black



Find out more about Arqstone

 Sink has integrated overflow

SEIMA

kitchen + laundry + bathroom ware

seima.com.au

Please note

- All measurements are in millimetres.
- Stone sinks – Dimensions are subject to normal manufacturing variations of ± 3 mm.
- Always use the actual product to verify cutout.
- Use silicone sealant. Do not use epoxy type adhesives.
- Specifications may vary without notice as part of our continuous improvement practices.