

# Aurora 380

Collection: Elevate

Former name: Aurora Bowl



Smoky Taupe Silk Matte



Rose Quartz Silk Matte



Winter Sea Silk Matte



Black Silk Matte



Forest Silk Matte



White Gloss



White Silk Matte



Aurora basins

## Above counter basin, round curved bowl

The refined characteristics and soft curves bring a sense of purity and natural elegance to any bathroom.

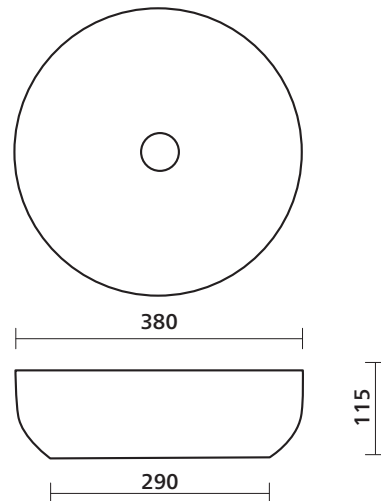
Optional extra: Ceramic Pop-out Basin Waste

### Order codes

192075	Aurora 380 ceramic basin, Rose Quartz Silk Matte
192076	Aurora 380 ceramic basin, Smoky Taupe Silk Matte
192077	Aurora 380 ceramic basin, Winter Sea Silk Matte
192074	Aurora 380 ceramic basin, Black Silk Matte
192148	Aurora 380 ceramic basin, Forest Silk Matte
192073	Aurora 380 ceramic basin, White Silk Silk Matte
192072	Aurora 380 ceramic basin, White Gloss

### Product details

TAPHOLE	No taphole.
WASTE	Suits standard 32 mm non-overflow waste (not supplied).
OVERFLOW	No overflow.
MATERIAL	Vitreous china.
FINISH	Silk matte finish: available in white and colours shown. Gloss finish: white only.
COLOUR	Available in multiple colours.
FIXING	Always use the actual basin to verify cutout. Use silicone sealant. Do not use epoxy type adhesives.



### Premium Basin Wastes (AVAILABLE SEPARATELY)

#### POP-OUT BASIN WASTE – WITH CERAMIC CAP AND CHROME BASE

192257	Ceramic Pop-out Basin Waste, White Silk Matte
192258	Ceramic Pop-out Basin Waste, White Gloss
192259	Ceramic Pop-out Basin Waste, Black Silk Matte
192260	Ceramic Pop-out Basin Waste, Rose Quartz Silk Matte
192261	Ceramic Pop-out Basin Waste, Smoky Taupe Silk Matte
192262	Ceramic Pop-out Basin Waste, Winter Sea Silk Matte
192263	Ceramic Pop-out Basin Waste, Forest Silk Matte

#### POP-OUT BASIN WASTE – WITH METAL CAP AND MATCHING BASE

192010	Pop-out Basin Waste – Chrome
192012	Pop-out Basin Waste – Brushed Nickel
192199	Pop-out Basin Waste – Gunmetal
192013	Pop-out Basin Waste – Brushed Gold
192009	Pop-out Basin Waste – White Matte
192011	Pop-out Basin Waste – Black Matte



basin wastes

# SEIMA

kitchen + laundry + bathroom ware

seima.com.au

### Please note

- All measurements are in millimetres.
- Dimensions are nominal and subject to normal ceramic manufacturing variations of  $\pm 5$ mm.
- Wastes, taps and bottle traps shown in images are not included unless specified.
- Fixing: Use silicone sealant. Do not use epoxy type adhesives.
- Always use the actual basin to verify cutout.
- Specifications may vary without notice as part of our continuous improvement practices.
- Clean with a damp cloth. Do not use abrasive cleaners, liquids or pastes.