

Please check actual product in box for bracket type used

# ARCH 500D

**PRODUCT CODE**

AR50D

## LED MIRROR

**SPECIFICATIONS**

WIDTH	500mm
HEIGHT	900mm
DEPTH	35mm
WEIGHT	7kg
ORIENTATION	Portrait

**FEATURES**

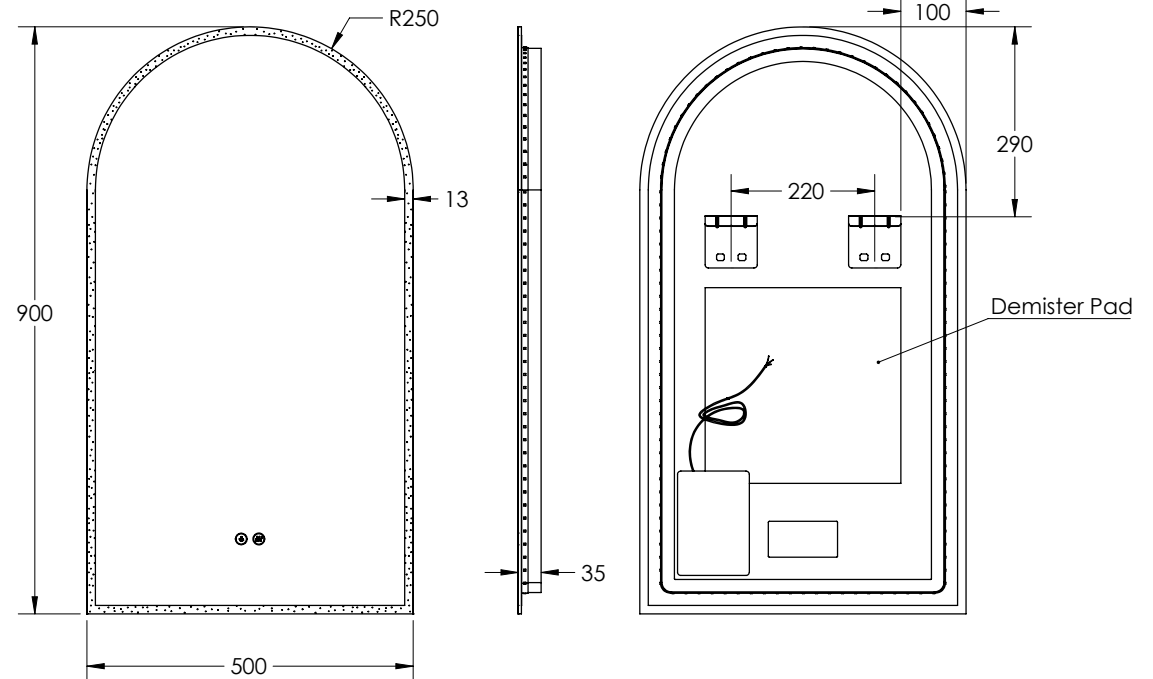
Copper Free Mirror
LED Lighting (Adjustable Colour Temperature)
Backlit
Touch Sensor
Demister with 1 Hour Auto Cut-off

**LIGHTING SPECIFICATIONS**

CCT	2700K - 6500K
CRI	>80

**INSTALLATION**

Wall mount
Hardwire
Input voltage: 220-240v 50Hz



Disclaimer: All LED Products requiring hardwiring must be installed by a licensed electrician in accordance with local regulations. Sizes are in mm and nominal and should be checked prior to installation. Actual colours may vary so please check colour samples before ordering. Installation is acceptance of our products. Installation of faulty, warped, chipped or damaged products will void our warranty.

Please check actual product in box for bracket type used

# ARCH 500D

## LED MIRROR

**PRODUCT CODE**

AR50D

**SPECIFICATIONS**

WIDTH	500mm
HEIGHT	900mm
DEPTH	35mm
WEIGHT	7kg
ORIENTATION	Portrait

**FEATURES**

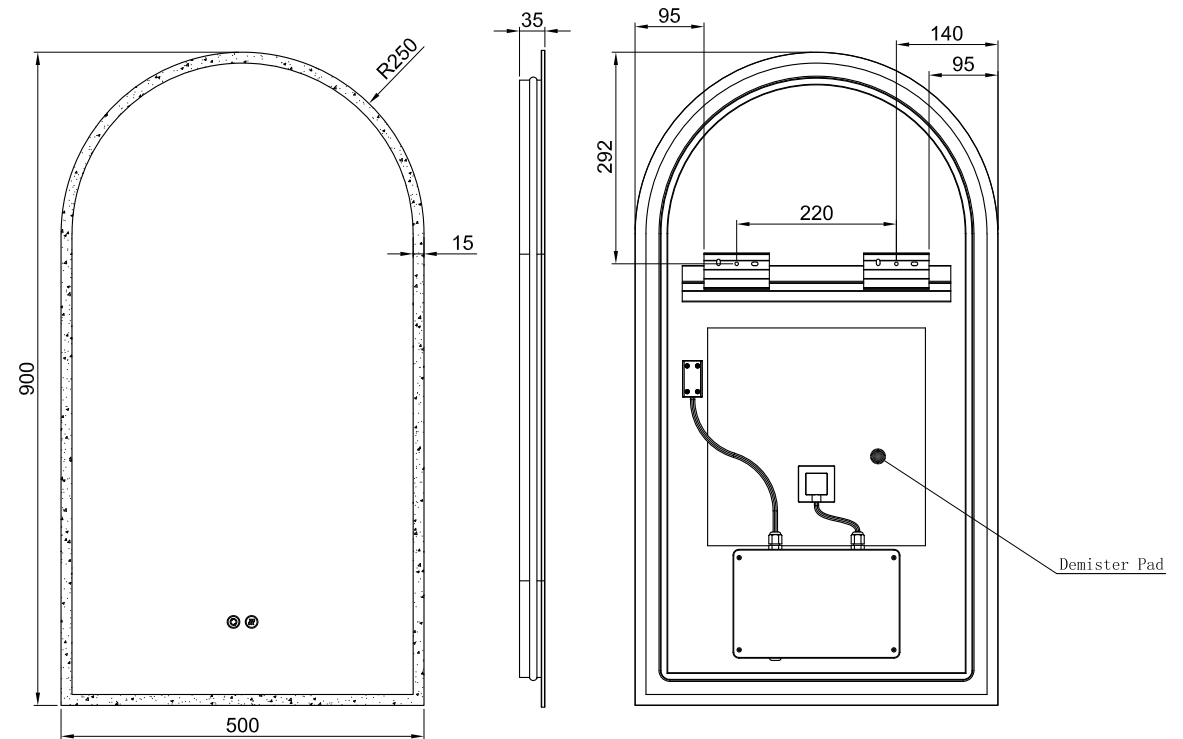
- Copper Free Mirror
- LED Lighting  
(Adjustable Colour Temperature)
- Backlit
- Touch Sensor
- Demister with 1 Hour Auto Cut-off

**LIGHTING SPECIFICATIONS**

CCT	2700K - 6500K
CRI	>80

**INSTALLATION**

- Wall mount
- Hardwire
- Input voltage: 220-240v 50Hz



Disclaimer: All LED Products requiring hardwiring must be installed by a licensed electrician in accordance with local regulations. Sizes are in mm and nominal and should be checked prior to installation. Actual colours may vary so please check colour samples before ordering. Installation is acceptance of our products. Installation of faulty, warped, chipped or damaged products will void our warranty.

Please check actual product in box for bracket type used

# ARCH 500D

## LED MIRROR WITH ALUMINIUM FRAME

### SPECIFICATIONS

WIDTH	510mm
HEIGHT	910mm
DEPTH	40mm
WEIGHT	8kg
ORIENTATION	Portrait

### FEATURES

Copper Free Mirror
LED Lighting (Adjustable Colour Temperature)
Frontlit
Touch Sensor
Demister with 1 Hour Auto Cut-off

### LIGHTING SPECIFICATIONS

CCT	2700K - 6500K
CRI	>80

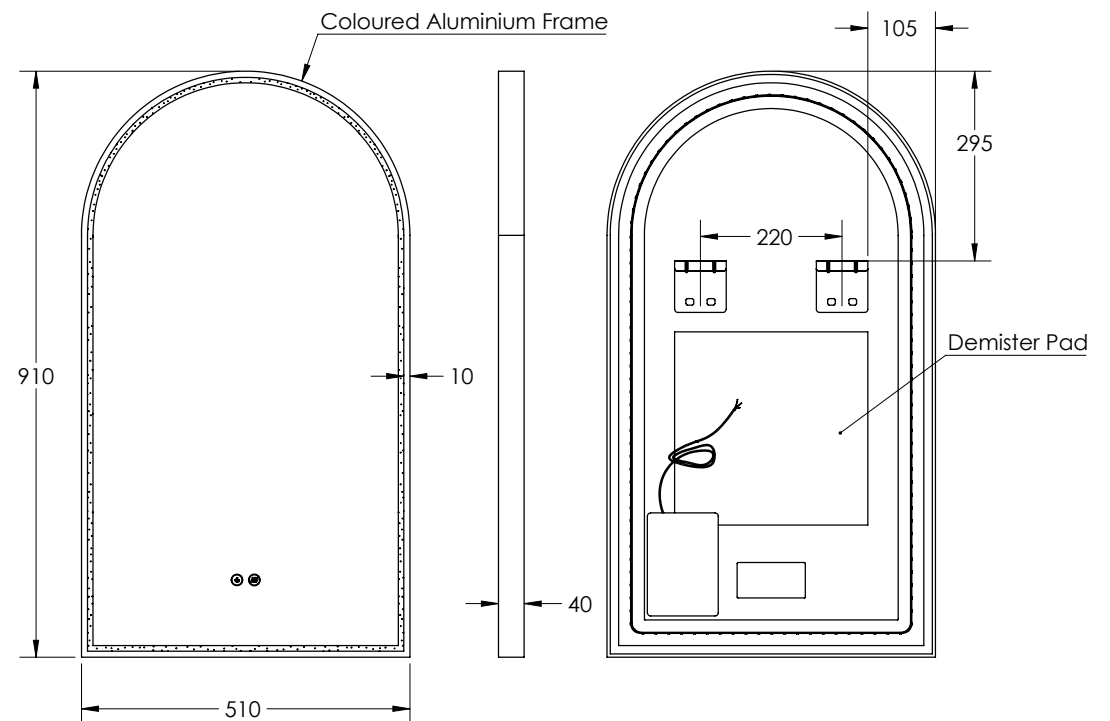
### INSTALLATION

Wall mount
Hardwire
Input voltage: 220-240v 50Hz

### FINISH

### PRODUCT CODE

Brushed Brass		AR50D-BB
Brushed Nickel		AR50D-BN
Gun Metal		AR50D-GM
Matte Black		AR50D-MB
Matte White		AR50D-MW



Disclaimer: All LED Products requiring hardwiring must be installed by a licensed electrician in accordance with local regulations. Sizes are in mm and nominal and should be checked prior to installation. Actual colours may vary so please check colour samples before ordering. Installation is acceptance of our products. Installation of faulty, warped, chipped or damaged products will void our warranty.

Please check actual product in box for bracket type used

# ARCH 500D

## LED MIRROR WITH ALUMINIUM FRAME

### SPECIFICATIONS

WIDTH	505mm
HEIGHT	905mm
DEPTH	40mm
WEIGHT	8kg
ORIENTATION	Portrait

### LIGHTING SPECIFICATIONS

CCT	2700K - 6500K
CRI	>80

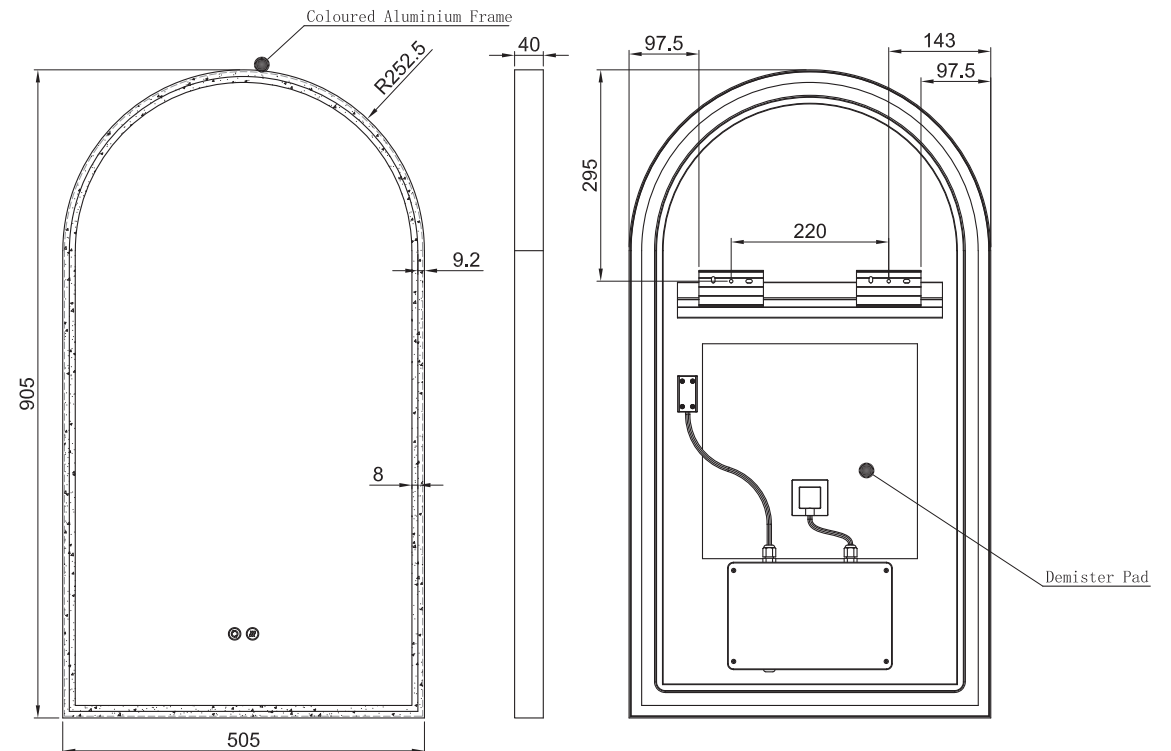
### INSTALLATION

Wall mount
Hardwire
Input voltage: 220-240v 50Hz

### FEATURES

Copper Free Mirror
LED Lighting (Adjustable Colour Temperature)
Frontlit
Touch Sensor
Demister with 1 Hour Auto Cut-off

FINISH		PRODUCT CODE
Brushed Brass		AR50D-BB
Brushed Nickel		AR50D-BN
Gun Metal		AR50D-GM
Matte Black		AR50D-MB
Matte White		AR50D-MW



Disclaimer: All LED Products requiring hardwiring must be installed by a licensed electrician in accordance with local regulations. Sizes are in mm and nominal and should be checked prior to installation. Actual colours may vary so please check colour samples before ordering. Installation is acceptance of our products. Installation of faulty, warped, chipped or damaged products will void our warranty.