

1 YEAR WARRANTY – COMMERCIAL USE

'Commercial' use is all use other than for normal domestic residential purposes, including use in non-business places as in public buildings, schools, sports centres and in establishments that contain private bathrooms with high frequency of use by many individuals, such as hotels, motels, retirement villages and hospitals.

The Commercial warranty covers this product against manufacturing faults in the construction, material and assembly of both the finished products and any spare parts for a period of 1 year from the date of purchase. Products and spare parts which are found upon inspection by an authorised Bella Vista representative to be defective in construction, material or assembly will be repaired or exchanged. Replaced items become Bella Vista's property.

The Warranty Conditions and exclusions which apply to the domestic use warranty also apply to this commercial warranty.

For full terms and conditions refer to website.

Bella Vista

www.bella-vista.net.au

Bella Vista

Mixers Basin / Wall



SPECIFICATIONS

Recommended Use	Domestic or Commercial
Material	Brass – Chrome / Black
Pressure	Not suitable for gravity fed systems Equal water pressure outlet Max. operating pressure 150-500kPa
Temperature	Maximum hot temperature 60°C Minimum cold temperature 1°C (Recommended 40°C)

Disclaimer: Products in this specification manual must by regulation be installed by licensed and registered trade people. The manufacturer and/or distributor reserve the right to vary specifications or delete models from their range without prior notification. Dimensions and set-outs listed are correct at time of publication however the manufacturer and/or distributor takes no responsibility for printing errors or manufacturing variations.

AS/NZS 3500.1-2003 (Clause 3.3.4) specifies 500kPa maximum water supply pressure at any outlet other than a fire service outlet within a building for new installations.

CLEANING RECOMMENDATIONS

To ensure the longest possible life of your product please adhere to the following

Chrome plated surfaces must be cleaned with warm soapy water and microfiber cloth. This product should not be cleaned with abrasive materials, or acid based cleaning agents.

Damage caused by any improper treatment or cleaning, corrosive or abrasive cleaning products containing acid or bleach agents is not covered by the product warranty.

Aerators must be checked on a regular basis for possible debris build up during normal use.

Refer to Warranty Conditions and website for full details

INSTALLATION INSTRUCTIONS - Basin & Sink Mixer

Please check the mixer thoroughly before installing. Installation of mixer will be taken as acceptance of product. It is important to install the product in accordance with the installation instructions below. Failure to comply with care and installation instructions will void the product warranty.

1. Mixer must be installed by a Australian qualified plumber All mixers should be installed with isolating stop taps.
2. Test water pressure. Where water pressure exceeds 500kpa an approved pressure limiting device must be fitted - failure to fit device will void warranty.
3. All pipework must be thoroughly flushed prior to installation. Foreign materials not normally found in portable water may enter the cartridge and cause damage which is not covered under the warranty.
4. Place O ring washer over the hole on the countertop and fit the mixer body onto the hole.
5. Place the horseshoe washer on top of the horseshoe plate.
6. Screw the mounting bolt into the mixer and lightly tighten by spanner or socket or screw driver – do not use powered drill.

Warranty Conditions

This warranty will apply only under all of the following conditions - failure to comply with said conditions will void the warranty.

- The item has been installed by a licensed plumber and compliance certificate issued
- The item has been installed for and subjected to domestic residential use only
- Failure is due to a fault in the manufacture of the product
- Proof of purchase (including the date of purchase) is provided
- This warranty does not cover products purchased as an ex-display without being fully checked and tested for sale by the manufacturer.
- The installation of the product is in accordance with the instructions provided and stop taps.
- The warranty work is limited to the pre-approved scope of work. Additional work will require authorisation from Bella Vista.

This warranty does not include faults caused by:

- Unsuitable or improper use
- Incorrect installation or installation not in accordance with the instructions provided
- Isolation stop taps are not fitted as stated on manufacturer's installation instructions.
- Installation or part installation by the purchaser or any person other than a licensed plumber
- Failure to comply with National or State standards during installation or use
- Normal wear and tear
- Damage through misuse, neglect or accident
- Inadequate or complete lack of maintenance
- Chemical, electrochemical or electrical influences
- Harsh detergents or abrasive cleaners used on product finishes
- Modification or unauthorised repair by purchaser
- Failure to follow manufacturers care and cleaning instructions
- Damage to ceramic disc cartridges from pieces of copper tube, sand, dirt, stones or thread tape, and/or damage as a result of obstructions due to inadequate flushing of system before use
- Warranty excludes tiling, waterproofing or associated works and inclusive of repair and/or replacement of parts and/or mixer only
- Bella Vista will not be liable for any loss or damages caused by a defective product, only the product itself. Bella Vista will not be liable to bear the expense of claiming the warranty (ie time off work, postage etc).

BELLA VISTA PRODUCT QUALITY GUARANTEE

This product is covered by a 15 year limited product warranty. Warranty is 1 year Labour and Parts and replacement provision thereafter, excluding labour – refer to below for warranty classification. Warranty commences from date of purchase. Warranty applies to original purchaser and is not transferable.

15 YEAR WARRANTY – DOMESTIC USE

If the product fails to function to an acceptable level within 12 months from date of purchase, please contact retailer at original place of purchase. To receive a replacement product, you must complete a warranty claim – including proof of purchase and plumbers compliance certificate. The faulty product will be replaced with the same product or similar product of equivalent value only.

This warranty is offered separately from any warranties implied under the Trade Practices Act. This product replacement warranty does not seek to limit any rights that a consumer may exercise under the Trade Practices Act or complimentary state based legislation.

This warranty covers faults in the product construction, material and assembly. Products which are within the warranty period from the date of purchase, found upon inspection/written authorisation by a Corfield representative to be defective in construction, material or assembly, will be repaired or exchanged with an equivalent product within the warranty period. Replaced items become Bella Vista's property.

1 year parts and labour applies on the body of the product and O rings from date of purchase

All other warranty conditions below are replacement only – no service call.

15 Years against cartridge

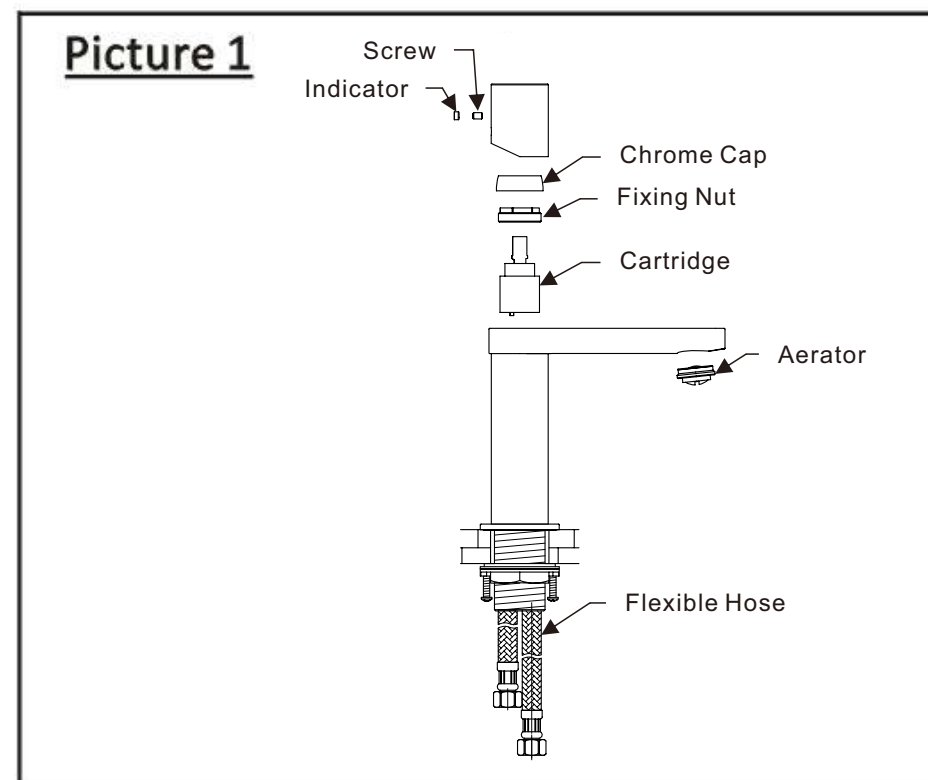
2 Years against casting defaults and porosity

12 Months on washers, O rings

12 Months on chroming and finish

Onsite service is offered only where stated in this documents – all other warranty conditions are supply of parts only. All replacement items will be mailed using Australia Post or available for collection to the customer at the nearest Bella Vista branch to the customer's location, or elsewhere as agreed between the customer and Bella Vista . All replacement items will be available upon confirmed warranty claim.

7. Lubricate O rings with O ring lubricant or similar
8. Install the flexible hoses and tighten by hand (DO NOT use spanner to tighten as it will damage the O ring) Ensure red band hose is connected to hot water and blue band hose is connected to cold water.
9. Screw on the mounting nuts and tighten.
10. Using a hand screwdriver at the end of the mounting bolt - check final tighten to ensure fit and complete tightening of all hardware.
11. Ensure hoses are not kinked or twisted and not bent to a radius less than 25mm when being installed.
12. Turn on isolating stop taps and check for leaks.
13. Check mixer functionality after final installation
14. Clean aerator at regular intervals



INSTALLATION INSTRUCTIONS - Shower & Bath Diverter

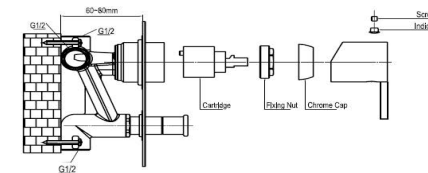
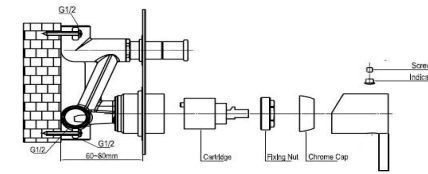
Please check the mixer thoroughly before installing. Installation of mixer will be taken as acceptance of product. It is important to install the product in accordance with the installation instructions below.

15. Mixer must be installed by a qualified plumber.
16. Test water pressure. Where water pressure exceeds 500kpa an approved pressure limiting device must be fitted.
17. All pipework must be thoroughly flushed prior to installation. Foreign materials not normally found in portable water may enter the cartridge and cause damage which is not covered under the warranty.
18. Screw the mixer body assembly in place.
19. Facing the assembly the hot water inlet is to the left and cold water inlet is to the right.
20. Connect the mixer body with inlet and outlet pipes
21. Test and check for leaks and functions are working properly prior to tiling and waterproofing – warranty does not cover tiling, waterproofing or other associated works
22. Remove the protective cover then push onto the faceplate.
23. Install the handle and diverter knob.
24. Tighten the grub screw after tiling.

Important Notes

Brazed connection should not be made directly onto the mixer

Picture 2



***Optional Diverter Knob under the handle is available on selected models**
***Plumber is responsible to connect the correct flow direction**

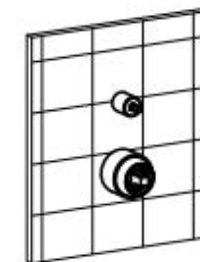
Attention Tiler :

cut out in tiles must be as per drawing below to enable replacement of cartridge / diverter encase of Failure .
 repairer will need sufficient space to remove the cartridge or diverter without causing damage to the tiles .

If tile cut out is not cut as per diagram and **Warranty is void** on the product .
 thank you .



Warranty ✓



NO Warranty ✗

INSTALLATION INSTRUCTIONS

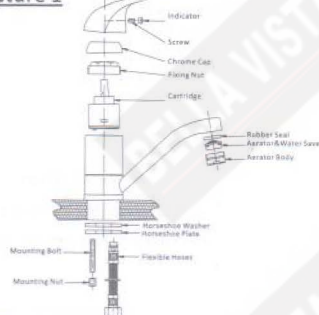
Please note

- This products must be installed by a qualified plumber
- Not suitable for use with gravity-feed systems.
- Before installation all water lines must be flushed to remove any foreign material so it does not interfere with the flow regulated aerator or damage the cartridge.
- The flexible connecting hoses must be fitted to isolating stop cocks.
- Operating pressure 150 to 500kpa.
- Both hot and cold inlet pressures should be equal.
- Maximum hot water temperature is 80 degrees Celsius.
- As per AS/NZS 3500.1.2003 clause 3.3.4
- The maximum operating pressure at any outlet, other than a fire service outlet, within a building does not exceed 500kpa.

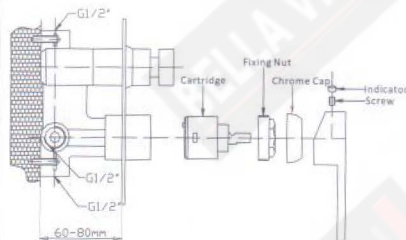
Installation of Basin & Sink mixer

1. Place O Ring Washer over the hole in sink/basin Where the mixer is to be installed.
2. Fit the Mixer Body onto the sink/basin hole.
3. Place the Horseshoe Washer on top of the Horseshoe Plate and fit it onto the Mounting Bolt using the Mounting Nut to tighten up the mixer from the underneath of the sink/basin.
4. Install the Flexible Hoses now and ensure the Flexible Hoses are hand tightened into place (DO NOT USE SPANNER TO TIGHTEN AS IT CAN DAMAGE THE O RING). The Flexible Hoses are to be fitted into the correct inlets for hot water and for cold water (Red band for hot and blue band for cold).

Picture 1



Picture 2



Installation of Shower & bath diverter mixer

1. Screw the mixer assembly in place. Hot water inlet connection to the left and cold to the right when facing the mixer.
2. Connect the mixer body with inlet and outlet pipes.
3. Test and check for leaks and functions working properly.
4. Remove the protective cover then push on the faceplate and install the handle and diverter knob by tightening the grub screw after tiling

Important Notice

- Brazed connection should not be made directly on to the mixer
- Double check and make sure the mixer no leaking and all function working properly before tiling and waterproofing. The warranty does not cover tiling, waterproofing and any other jobs but exchanging the parts or mixers.

Installation of Shower & bath mixer

1. Screw shower/bath mixer assembly in place. Hot water Inlet connection to the left and cold to the right when facing the mixer.
2. Attach water supply and water outlet.
3. Test and check for leaks and functions working properly.
4. Remove the protective cover then push on the cover plate and install the handle by tightening the grub screw after tiling

Important Notice

- Brazed connection should not be made directly on to the mixer
- Double check and make sure the mixer no leaking and all function working properly before tiling and waterproofing. The warranty does not cover tiling, waterproofing and any other jobs but exchanging the parts or mixers.

Installation of wall mixer with spout

1. Screw the mixer breach assembly in place. Check outlet and mixer are level
2. Connect the mixer body with water inlet pipes. Check “H” and “C” mark on the mixer body before connecting.
3. Test and check for leaks and functions working properly.
4. Remove the protective cover then push on the cover plate and install the handle and spout by tightening the grub screw after tiling

Important Notice

- Brazed connection should not be made directly on to the mixer
- Double check and make sure the mixer no leaking and all function working properly before tiling and waterproofing. The warranty does not cover tiling, waterproofing and any other jobs but exchanging the parts or mixers.

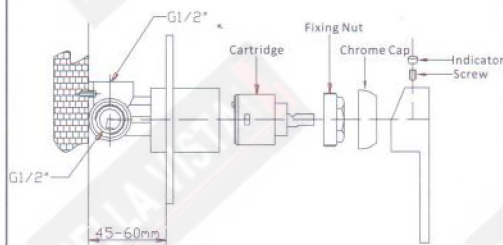
Replacing Cartridge

- Turn off water supply.
- Remove indicator plug by using 2.5mm allen key loosen screw which is inside the handle and remove the handle
- Remove chrome cap by turning it with hand.
- Remove fixing nut by tool then lift out cartridge
- Put new cartridge into the mixer body and make sure the surface of mixer body is clean and the legs of new cartridge allocated in the mating holes in the mixer body.
- Screw the fixing nut back with 10nm torque, put chrome cap back.
- Fit the handle on the cartridge lever, tighten screw and put the indicator plug back in
- Turn on water supply and check operation

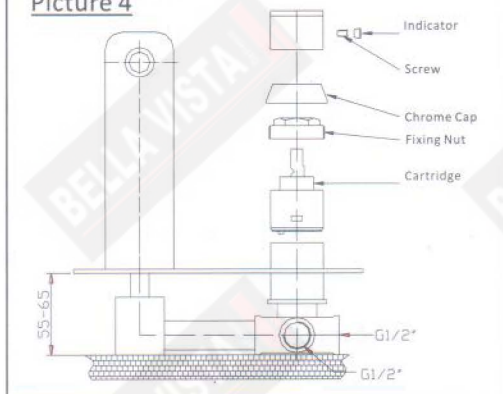
Maintenance cleaning instructions:

- Do not use harsh detergents or abrasive cleaners, because these will scratch the surface.
- Where your tapware remains dry in use, a soft cloth can be used to remove surface dust. Alternatively, a wipe over with warm soapy water is all that is required to maintain the finish in perfect condition for a lifetime of use.

Picture 3



Picture 4



Plumbers checklist

Attention Plumber

Have you flushed the pipes

Have you made sure the KPA 500 or less

Have you installed mini stops

Have you made sure the hoses are not kinked or twisted

Have you tightened the fittings and checked that the tap isn't loose

Have you checked the tap is working before you issue a certificate

Thank you

GENERAL WARRANTY INFORMATION only for detailed warranty info read the Bella Vista Terms and Conditions document published on our web site and attached with every tap purchased

Manufacture's Warranty

Bella Vista offers the following Manufacturer's Warranty Subject to the following terms.

Residential

Category	Warranty Period	Warranty Details
Mixers	15 years	• 15 year Ceramic disk cartridges – parts only>Note: Excludes damage to ceramic disc cartridges from pieces of copper tube, plastic tube, sand, dirt or thread tape etc. • 1 year replacement product or parts and labour and rest of warranty life parts supply only (NO SERICE CALL).
Hand shower on Rail or Elbow-bracket, Shower head & Arm	3 years	3 year Replacement product or parts only
Combine Shower set	3 years	•3 year replacement products or parts only. •1 year replacement products or parts and labour
Tapware	5 years	•5 years replacement product or parts •1 year replacement products or parts and labour Note: 1 Year parts only for jumper valves and ceramic disc spindles.
Accessories	5 years/12 months	5 year replacement product or parts only Chrome and any other colour 12 months only .

Commercial

Hotels, Hospitals, schools, factory motels, and office aged care facility etc.

Category	Warranty Period	Warranty Details
All Products	1 year	1 year replacement product or parts

Warranty will be void for the following reason:

- Failure to provide proof of purchase or equivalent document.
- Products not installed by a licensed plumber.
- Failure to follow the manufacturer's installation instructions.
- Failure to comply with National or State standards during installation or use.
- Tapware exposed to water pressures and or temperatures that exceed stated limitation as per the products installation instructions. Note: AS/NZS 3500.1-2003 (Clause 3.3.4) specifies 500kPa maximum water supply pressure at any outlet other than a fire service outlet within a building for new installations.
- Isolation stop taps are not fitted as stated on manufacturer's installation instructions.
- Fitting of non-approved products such as aerators or flow regulators, and other devices, e.g. Water filters.
- Products used for incorrect applications, non-potable water etc.
- Damage as a result of obstructions due to inadequate flushing of system before use.
- Damage to finishes by adhesives, sealants etc.
- Damage as a result of installation or post installation use.
- Failure to follow manufacturers care and cleaning instructions.
- The warranty work is limited to the pre-approved scope of work. Additional work will require authorisation from Bella Vista.