

PAPER TOWEL / COMBINATION UNITS

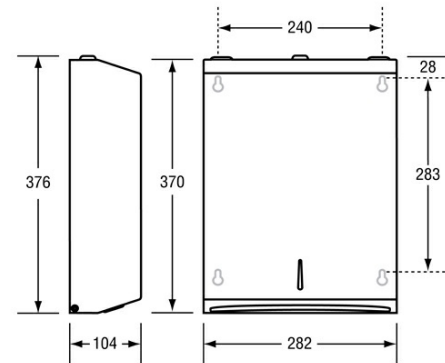


DESIGNER_ML725

Paper Towel Dispenser in Designer Black

Specification

Material	#304 Stainless Steel
Finish	Designer Matte Black
Mounting	Surface Mount Concealed Fix
Dimensions	376mmH x 282mmW x 104mmD
Features	Unit fitted with tumbler lock Front View Paper Indicator
Also Available	ML725SS MK2 : Satin Stainless Steel ML725W MK2 : White
Note	Unit is supplied with 2 keys * This unit is accessible compliant when installed in accordance with AS1428.1. guidelines.
Consumable Advice	Requires Standard size commercial paper towel
Consumable	Slim Paper Towel - ML_PT_SLIM



Downloads & Resources

Care & Maintenance
 Installation instructions
 Associated Videos
 Stainless Steel Cleaning & Maintenance

The photographs and line drawings of the products presented above are representational only. Metlam Australia Pty Ltd reserves the right to, and from time to time, make changes and improvements in design and dimensions.