

# 60cm Stainless Steel Canopy RANGEHOOD

PRODUCT CODE: **EA60SX**



## FEATURES:

- + Stainless steel finish
- + 3 speed motor
- + 700m<sup>3</sup>/hr extraction capacity
- + 2 x 20w halogen lights
- + Separate light function
- + Electronic button front controls
- + Dishwasher safe cassette filters
- + 150mm air flow outlet

### 3 SPEED MOTOR

This rangehood provides the option of 3 different speed levels ensuring you have the option to use your rangehood at a low, medium or high level of operation.

### HIGH EXTRACTION CAPACITY

The extraction capacity of 700m<sup>3</sup>/hr provides strength and power to this stylish rangehood.

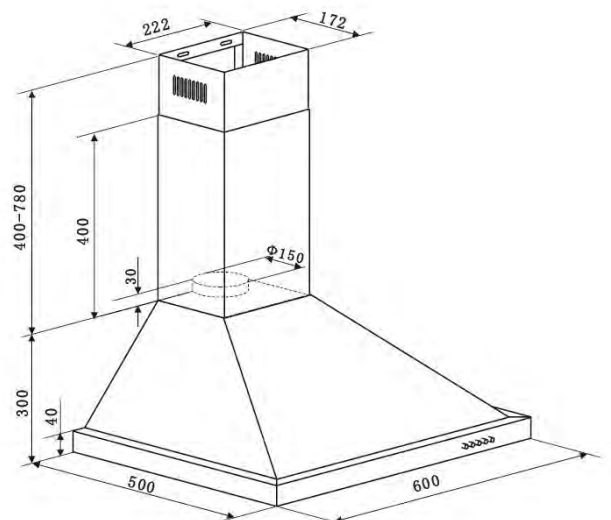
### DISHWASHER SAFE CASSETTE FILTERS

The cassette filters can be placed in a dishwasher for easy cleaning and can easily be removed, re-connected from the rangehood.

### DECIBEL RATING

54-60 dBA

<b>Electrical Requirements</b>	Rangehood is supplied with 10amp cord & plug.
<b>Decibel Rating</b>	Speed 1 - 48dBA / Speed 2 - 56 dBA
<b>Available Ventilation Kits</b>	
RHKE65	Wall - Eave vent kit
RHKMR65	Universal metal roof kit (includes flashing)
RHKTR65	Universal tile roof kit (includes flashing)
<b>Carbon Filter</b>	CF110 (requires 2)
<b>Rangehood Extensions</b>	ERCEXT



eurocooking



## HELPFUL TIPS

- + Leave your rangehood on for 15 minutes after the cooking of the food to remove all odors, steam etc.
- + The dishwasher-safe cassette filters need to be cleaned after approximately 2 months of standard operation
- + It is recommended that the rangehood be installed between 650mm and 750mm above the cooktop
- + It is also recommended that fumes from the rangehood be ducted out into the atmosphere.
- + Turn off the rangehood before attempting to clean

## INSTALLATION

Installation is recommended by a qualified installer, please refer to the product manual for full installation instructions.

## FILTER CLEANING INFORMATION

Cassette mesh filter: Requires cleaning monthly. This will ensure no interruptions with airflow operation.