

45cm Combi Microwave + Steam COMPACT OVEN

PRODUCT CODE: **EO45SMWB**



eurocooking



FEATURES:

- + 13 Multi-functions
- + 40 Auto cooking menus
- + 34lt volume capacity
- + Digital touch control with LED display
- + Flat bed microwave
- + Cooking temperature 50°C-220°C
- + Cooling fan system
- + Triple glazed door
- + Child safety lock
- + Black glass finish



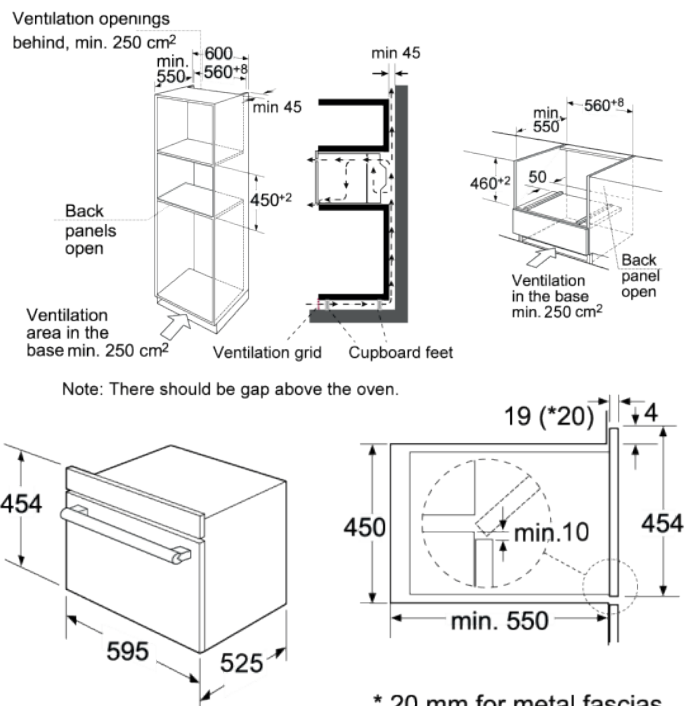
13 MULTI-FUNCTIONS:

- CONVECTION**
The top and bottom elements activate to provide a traditional style of cooking suitable for slow cooking cakes and delicate pastries
- GRILL**
Grill or toast enough of those favourite after school snacks to feed an army with the full grill function.
- FAN GRILL**
This function is perfect for fish, chicken Fillets or meat Cutlets. This Combination is exceptional for cooking meats such as poultry, game and roasts, making them crispy on the outside and tender in the middle.
- DEFROST**
In defrost mode, no heating elements are used. Only the fan is activated to circulate air inside the oven for defrosting.
- MICROWAVE**
Ideal for quick cooking or re-heating food.
- STEAM**
This modern healthy cooking method keeps the food juicy and locks in more nutrition and goodness.
- PREHEAT**
This function allows the oven to be rapidly preheated, before choosing a cooking function. The preheating ends when its pre-set temperature is achieved by the oven
- AUTO COOK**
The Auto cooking menu offers 40 pre-set steam cooking and non-steam cooking functions including pizza, meat, vegetable, auto reheat, pasta, soup, fish, beverage, potato and popcorn.
- COMBINATION FUNCTIONS**
Combination cooking enables you to cook using both grill and microwave function to provide conventional cooking results. These include Microwave + Grill, Microwave + Fan Grill, Microwave + Convection, Microwave + Steam, Convection + Steam.

SPECIFICATIONS:

Electrical Requirements	230-240V / 50HZ - 15AMP Hard Wire Connection required
Power Consumption	Input power (steam): 1500w Input power (microwave): 1550w Output power (microwave): 900w Input power (convection): 1900w Output power (grill): 1300w Max input: 3450w
Oven Volume Capacity	34L Cavity Size
Weight	33.3kg

PRODUCT DIMENSIONS:



* 20 mm for metal fascias

CLEANING AND MAINTENANCE

Easy clean AAA grade enamel interior.
Clean stainless steel using only recommended stainless steel cleaning products.
No abrasives, corrosive detergents, bleaches or acids not required for cleaning the oven.