

GATSBY 600X1000D

PRODUCT CODE

G60100D

LED MIRROR

SPECIFICATIONS

WIDTH	600mm
HEIGHT	1000mm
DEPTH	35mm
WEIGHT	10kg
ORIENTATION	Portrait or Landscape

FEATURES

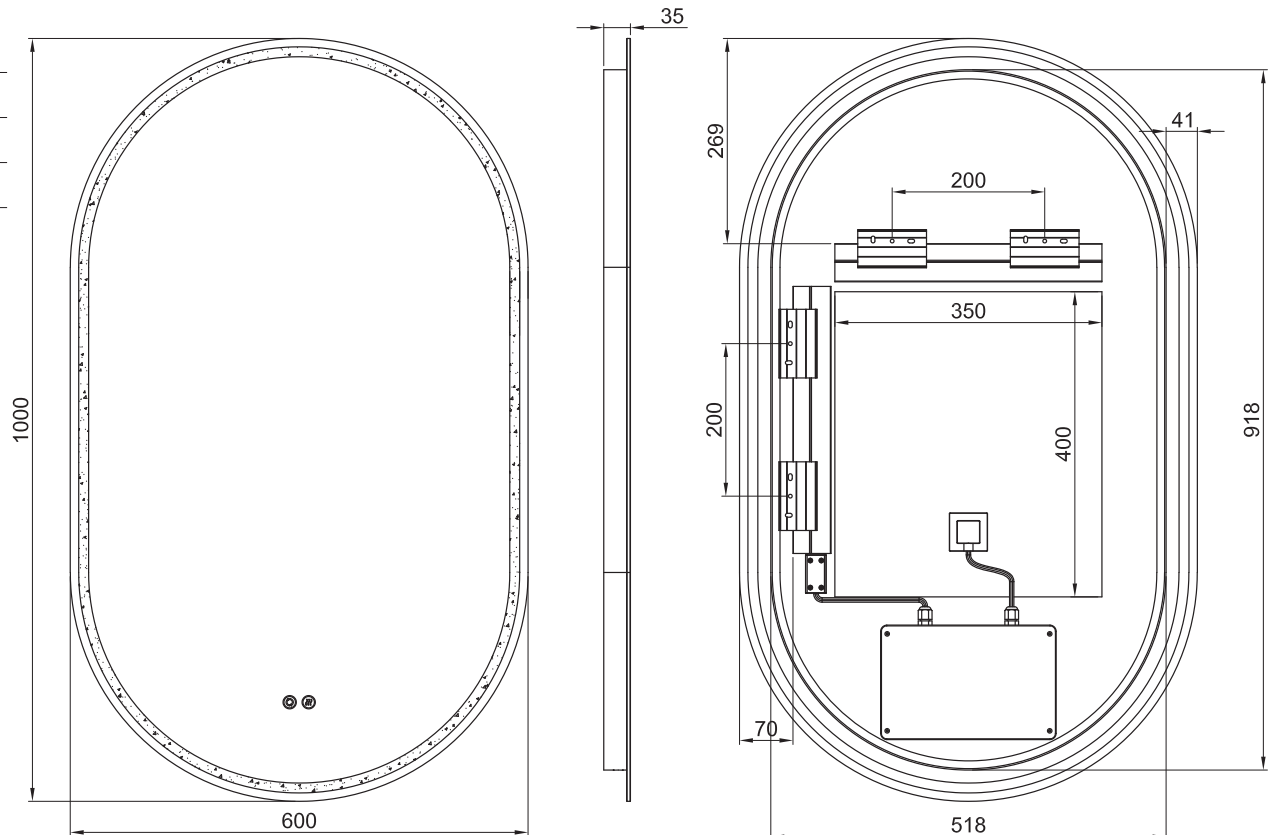
Copper Free Mirror
LED Lighting (Adjustable Colour Temperature)
Frontlit
Demister with 1 hour auto cut off
Touch sensor

LIGHTING SPECIFICATIONS

CCT	2700K - 6500K
CRI	>80

INSTALLATION

Wall mount
Input voltage: 220-240v 50Hz



Disclaimer: All LED Products requiring hardwiring must be installed by a licensed electrician in accordance with local regulations. Sizes are in mm and nominal and should be checked prior to installation. Actual colours may vary so please check colour samples before ordering. Installation is acceptance of our products. Installation of faulty, warped, chipped or damaged products will void our warranty.

GATSBY 600X1000D

LED MIRROR WITH ALUMINIUM FRAME

SPECIFICATIONS

WIDTH	605mm
HEIGHT	1005mm
DEPTH	40mm
WEIGHT	10kg
ORIENTATION	Portrait or Landscape

FEATURES

Copper Free Mirror
LED Lighting (Adjustable Colour Temperature)
Frontlit
Demister with 1 hour auto cut off
Touch sensor

LIGHTING SPECIFICATIONS

CCT	2700K - 6500K
CRI	>80

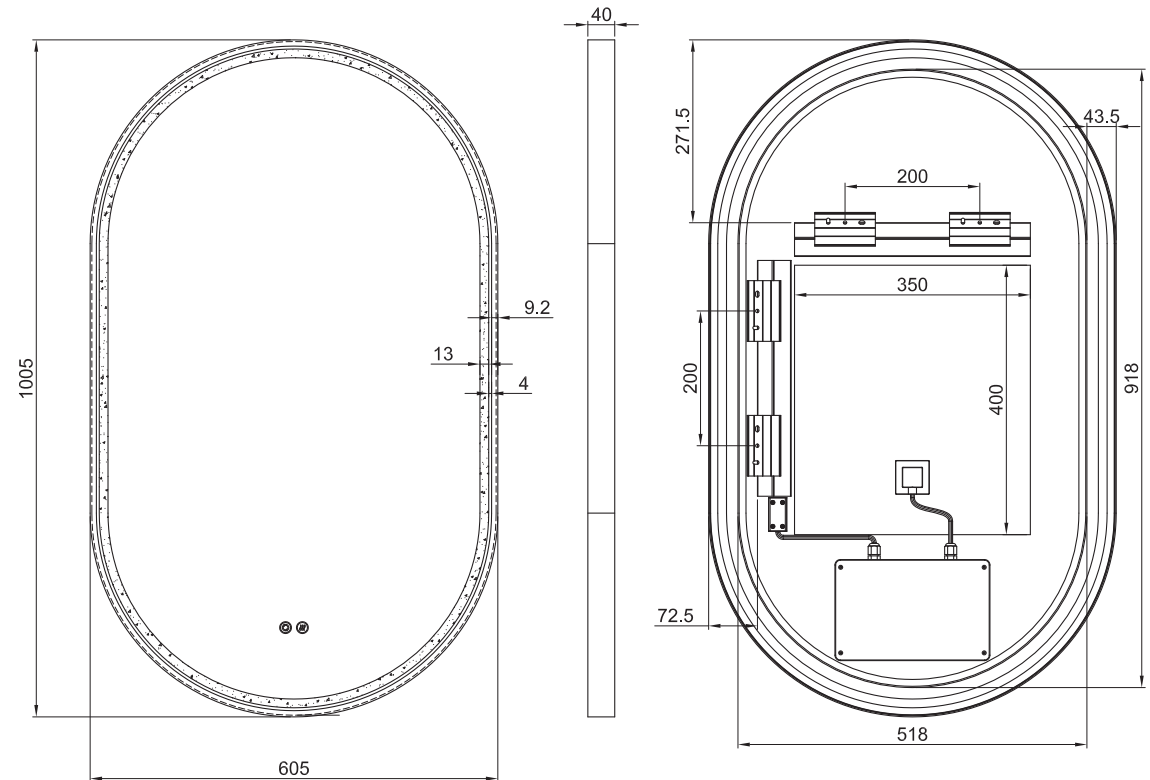
INSTALLATION

Wall mount
Input voltage: 220-240v 50Hz

FINISH

PRODUCT CODE

Brushed Brass		G60100D-BB
Brushed Nickel		G60100D-BN
Gun Metal		G60100D-GM
Matte Black		G60100D-MB
Matte White		G60100D-MW



Disclaimer: All LED Products requiring hardwiring must be installed by a licensed electrician in accordance with local regulations. Sizes are in mm and nominal and should be checked prior to installation. Actual colours may vary so please check colour samples before ordering. Installation is acceptance of our products. Installation of faulty, warped, chipped or damaged products will void our warranty.