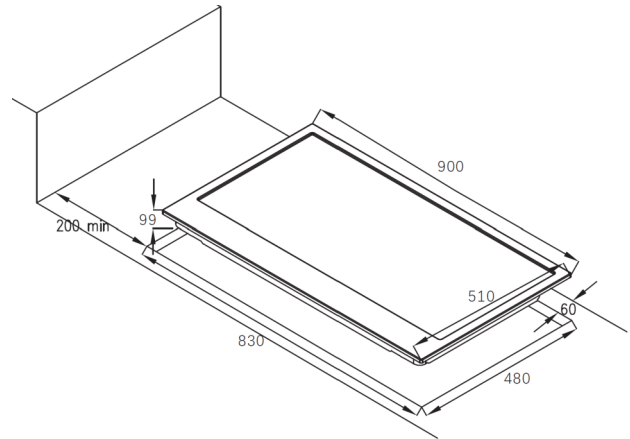


Gas Cooktop 900mm — GC905MBFCC



Product Specifications*

Finish	Black Glass
Dimensions	900 x 510mm (product)
Power Source	Natural Gas / LPG
Trivets	Cast iron trivets
Burners	Triple ring wok burner (3.6kW) Rapid burner (3.0kW) 2 semi rapid burners (1.75kW) Auxiliary burner (1.0kW)
Controls	Front knob controls
Features	Flame failure devices Italian SABAF burners Wok trivet included Cast iron trivets Automatic under knob ignition All trivets, burner caps and knobs are removable and dishwasher safe
Warranty	3 years

*Specifications and product size may change without notice. Shinda International is not responsible for any errors or omissions.

All dimensions and images are for illustrative purposes and cut-outs should be based on physical product measurements.