

HPH90ILB2,  
HPH60ILX2, HPH90ILX2

## Rangehood, Integrated Insert 60cm, 90cm



Haier

Height

285mm &  
315mm

Width

492mm &  
792mm

Depth

277mm

Weight (Packaged)

7.5kg  
6.5kg

Weight (Product)

11.5kg  
8.8kg

### FEATURES

- Seamlessly integrates into kitchen cabinetry for a minimal look
- Effective extraction of cooking steam, grease and odours
- Up to 780m<sup>3</sup>/hr airflow
- Energy-efficient LED lighting
- Ducted or recirculated options for flexible installation
- Dishwasher-safe aluminium filters are easy to remove
- Choose between three fan speeds
- Responsive push button controls

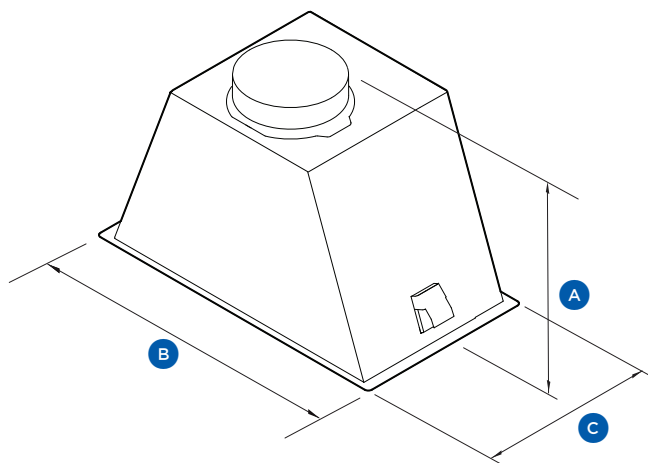
### ACCESSORIES

- |   |        |
|---|--------|
| • Aluminium filter (HPH60ILX2)            | 793597 |
| • Aluminium filter (HPH90ILX2, HPH90ILB2) | 793598 |
| • Recirculation carbon filter 2x          | 792481 |

# Product overview

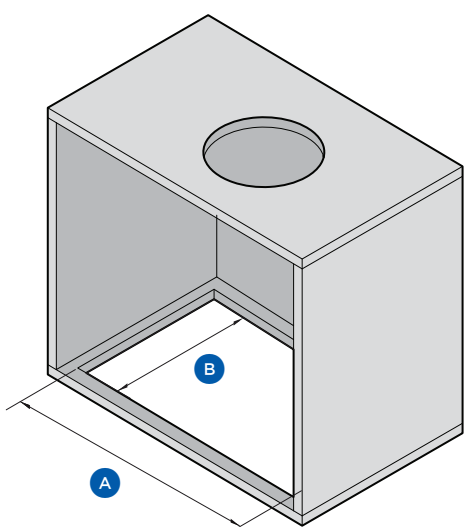
HPH60ILX2

## PRODUCT DIMENSIONS



		mm
<b>A</b>	Overall height	338
	Height without ducting adapter	285
<b>B</b>	Overall width	492
<b>C</b>	Overall depth	277

## CAVITY DIMENSIONS



		mm
<b>A</b>	Overall width of the cutout	460
<b>B</b>	Overall depth of the cutout	260

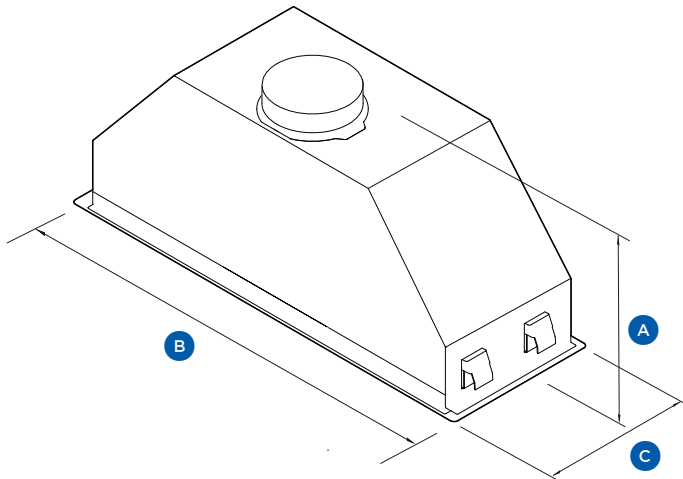
## SERVICES

- Supply 220-240V, 50Hz
- Power 286W

# Product overview

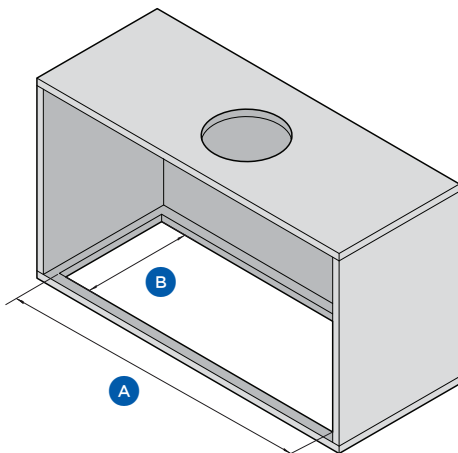
HPH90ILB2, HPH90ILX2

## PRODUCT DIMENSIONS



		mm
<b>A</b>	Overall height	372
	Height without ducting adapter	315
<b>B</b>	Overall width	792
<b>C</b>	Overall depth	277

## CAVITY DIMENSIONS



		mm
<b>A</b>	Overall width of the cutout	760
<b>B</b>	Overall depth of the cutout	260

## SERVICES

- Supply 220-240V, 50Hz
- Power 286W