

HWO60S7EX4, HWO60S7EB4
HWO60S7EG4, HWO60S7ELG4

Oven, 60cm 7 Function, Air Fry

Haier



Height

595mm

Width

595mm

Depth

568mm

Weight (Packaged)

35 kg

Weight (Product)

40 kg

FEATURES

- Expanded colour options and contemporary design details in our new range of ovens
- Choose from four versatile finishes – stainless steel, black glass, mid grey or light grey to suit a range of material palettes
- Seven oven functions including Air Fry, Pastry Plus and Pizza Plus
- Even convection heating on every shelf
- Sleek dials and an intuitive touch control panel with a minute timer and the ability to plan cook duration
- Self-cleaning catalytic side panels absorb and break down cooking residue
- Triple-glazed glass door for safety
- Soft-close door for effortless handling
- Telescopic shelf runners for easy removal of hot dishes
- Removable oven door and inner glass for greater access when cleaning

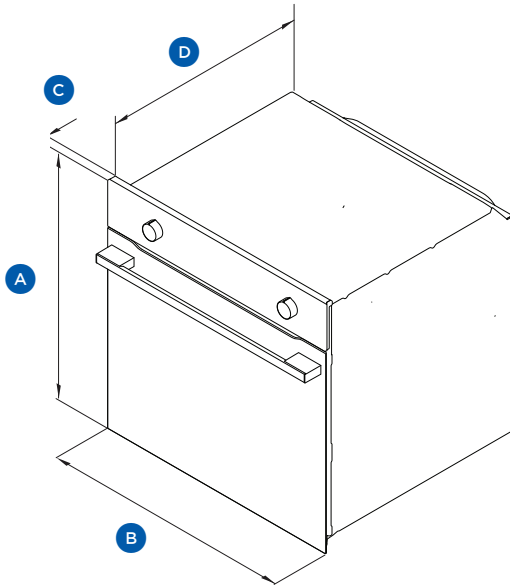
ACCESSORIES

- Air Fry tray
- Roasting dish
- Telescopic runners
- Rotisserie set
- 2x Wire racks/wire shelves

90002976 The models shown in this Specification Guide (SG) may not be available in all markets and are subject to change at any time. Product specifications may vary from those shown. This SG should not be used as installation guidance for any product. Further information is required to safely and correctly install the products featured here. Specific installation guidance will be available with the product on delivery and on our website haier.com

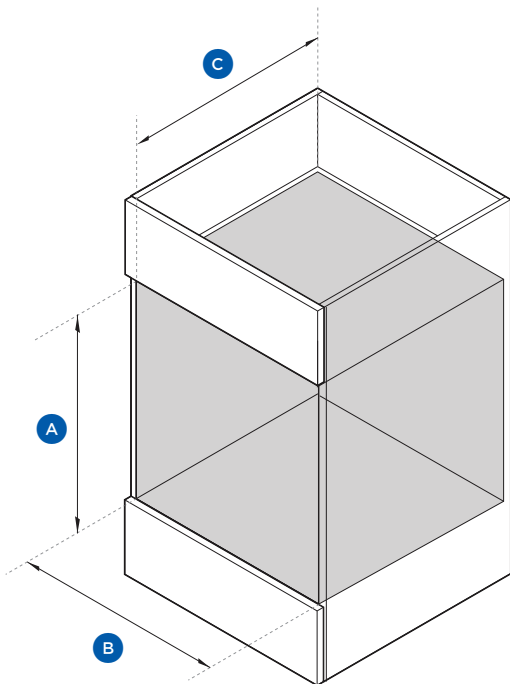
Product overview

PRODUCT DIMENSIONS



		mm
A	Overall height	595
B	Overall width	595
C	Chassis depth	548
D	Depth from front frame	20

CAVITY DIMENSIONS



A	Overall height of cavity	595
B	Overall width of cavity	560
C	Minimum depth of cavity	560

SERVICES

- Supply 220-240V, 50Hz
- Rated Current 10 - 10.9A
- Connection Hard wired