

## GENERAL INFO

## FILTRATION AND ULTRAVIOLET ALL-IN-ONE UNIT WITH WEATHER COVER

Provides safe and bacteria-free water for your whole house.

Suited to small to large households, these systems are designed for both mains and rainwater supply. This unit features a weather protection cover that is suitable for outdoor installation and an anti-tamper & childproof lockable lid.

## FEATURES & BENEFITS

- Quick and easy plug-and-play installation.
- Reduces sediment, chemicals including chlorine, bad taste and odour. (Hybrid G6 & G7 Models).
- Reduces sediment, silt, sludge, dirt, rust, coarse & fine particles. (Hybrid G8 & G9 Models).
- Kills 99.99% of E. coli, Giardia and Cryptosporidium cysts with Radfire™ ultraviolet technology, a natural purification process that's completely eco-friendly and chemical free.
- Turns your tank and mains water into pure, safe, delicious drinking water.
- Filtration and ultraviolet all-in-one unit.
- High strength aluminium bracket for durability.
- Designed for harsh climate.
- Equipped with a lamp count-down timer and alarm.
- Anti-tamper & childproof lockable lid.
- Anti-corrosion construction.
- Hinged lid for easy access for lamp change.



HYBRID-G6 (AU MODEL)  
10", 1 connection, max. flow: 75 Lpm



HYBRID-G7 (AU MODEL)  
20", 1 connection, max. flow: 130 Lpm



HYBRID-G8 (NZ MODEL)  
10", 1 connection, max. flow: 75 Lpm

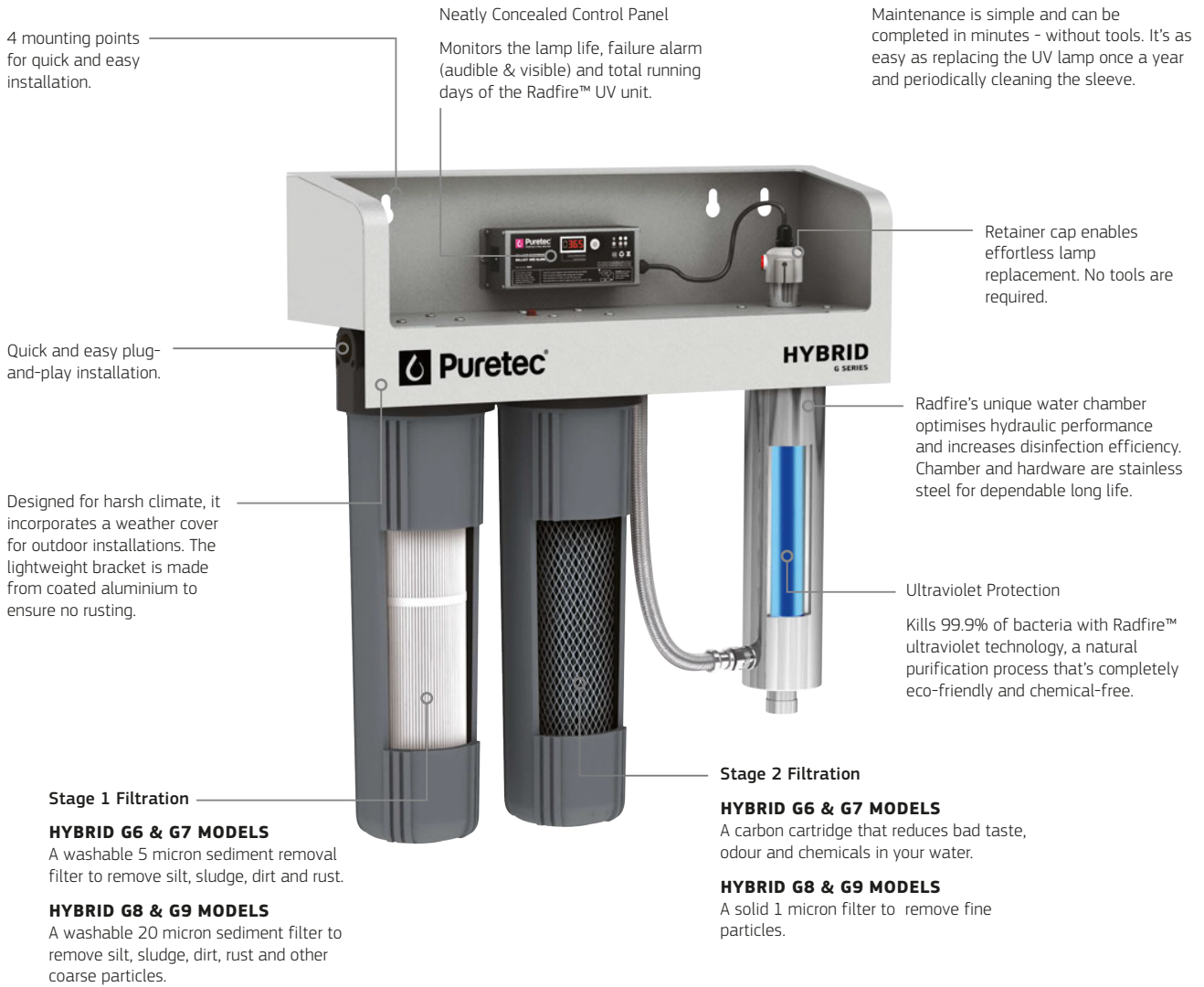


HYBRID-G9 (NZ MODEL)  
20", 1 connection, max. flow: 130 Lpm

Ordering Code:	HYBRID-G6 (AU MODEL)	HYBRID-G7 (AU MODEL)	HYBRID-G8 (NZ MODEL)	HYBRID-G9 (NZ MODEL)
Replacement parts and cartridges:				
Stage 1 filtration:	PL05MP1	PL05MP2	PL20MP1	PL20MP2
Stage 2 filtration:	DP10MP1	DP10MP2	PX01MP1	PX01MP2
UV lamp, 46 W:	RL6	RL6	RL6	RL6
Quartz sleeve:	RQS6	RQS6	RQS6	RQS6
Flow rate @40mJ/cm2:	54 Lpm	54 Lpm	54 Lpm	54 Lpm
Flow rate @30mJ/cm2:	70 Lpm	70 Lpm	70 Lpm	70 Lpm
Flow rate @16mJ/cm2:	130 Lpm	130 Lpm	130 Lpm	130 Lpm
Connection:	1" BSP [25mm]	1" BSP [25mm]	1" BSP [25mm]	1" BSP [25mm]
Supply pressure:	300 - 875* kPa			
Water temperature range:	0 - 52°C (protect from freezing)			
Warranty:	3 years <sup>^</sup>			

Important Note: Use only genuine Puretec replacement cartridges. Flow rate @30mJ/cm<sup>2</sup> is the industry standard for drinking water. Puretec Hybrid UV systems are designed for common rainwater. The effectiveness of a UV system is dependent on the clarity of water present. If you are unsure of the clarity of your water Puretec can arrange a UVT test to verify that no further filtration is required before the UV. Contact Puretec on 1300 140 140 (AU) or 0800 130 140 (NZ) for further information on this. \* Where line pressure exceeds 500 kPa, an approved pressure limiting device must be installed to comply with Australian & New Zealand Plumbing Standards. (Ref. AS/NZS 3500.1:2021, Clause 3.3.4).

**DIAGRAM & FILTRATION TECHNOLOGY**



**Weather Protection & Anti-Corrosion Construction**

The Hybrid G Series incorporates a weather cover for outdoor installations. The durable lightweight mounting bracket is made from coated aluminium to ensure no rusting.



**Dual Stage Filtration with UV Protection**

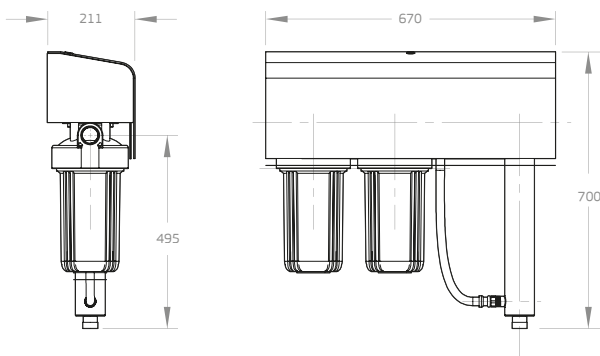
Highly effective and efficient at removing dirt, rust, sediment, bad taste and odour in your water, providing good general purpose filtration.

**OPTIONAL EXTRAS**

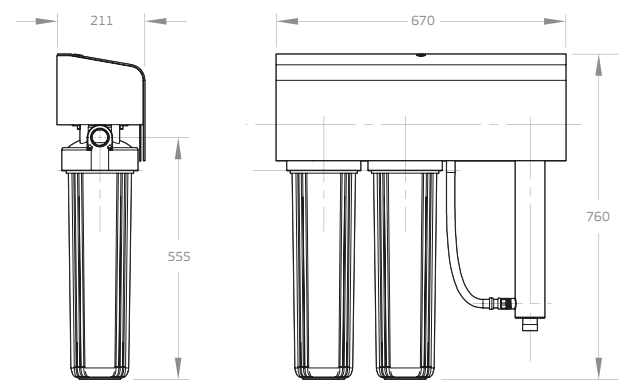

Ordering Code:	Description	Suits
PC-HYBRID-3M	Hybrid series power cord, <b>3 metres</b> , for applications where a longer cord is required.	Hybrid G, R & P series

**PRODUCT DIMENSIONS** Measurements in Millimeters (mm)

HYBRID G6 &amp; G8



HYBRID G7 &amp; G9


**ADDITIONAL INFORMATION**

Where the water being treated contains unusually high levels of dissolved solids particularly hard water, iron, manganese or biological organisms, a deposit build up on the quartz sleeve may occur over time. Maximum recommended parameters are as follows:

Iron:	less than 0.3 mg/L
Hydrogen Sulfide:	less than 0.05 mg/L
Suspended Solids:	less than 10mg/L
Manganese:	less than 0.05 mg/L
Hardness:	less than 110mg/L


**WaterMark**

 WMTS103:2016  
 Licence No. WM 74593  
 Australian Certification Services

**Note:**

1. No claims can be made based on the specifications and images in this document. The design, technology, colours, features and prices are subject to change.
2. This document and all its contents are copyright protected. All rights are reserved, particularly alteration, translation and reproduction using electronic systems.
3. ^Warranties in this document cover parts for the period stated and include cover for parts and labour for the first year where applicable, subject to approval. Plus 2 years parts only. Our Water Filtration Specialists can provide you with advice to suit your needs.

For more information contact your local stockist or visit us at [puretecgroupp.com](http://puretecgroupp.com) Australia **1300 140 140** | New Zealand **0800 130 140**

FEBRUARY.2022