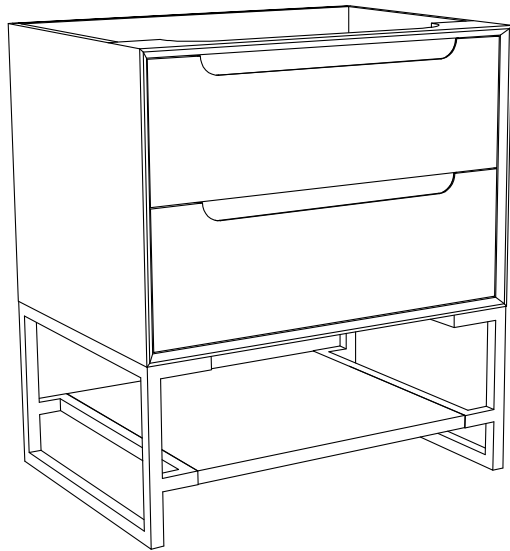
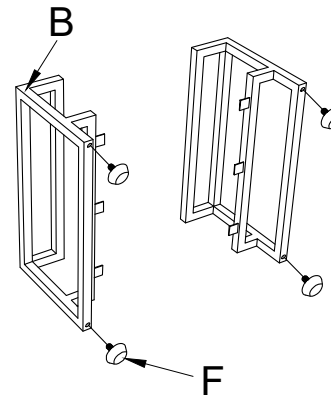




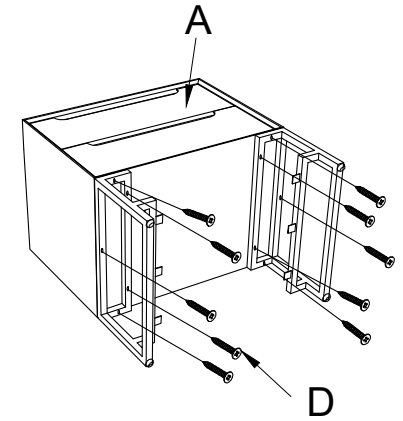
# INSTALLATION GUIDE



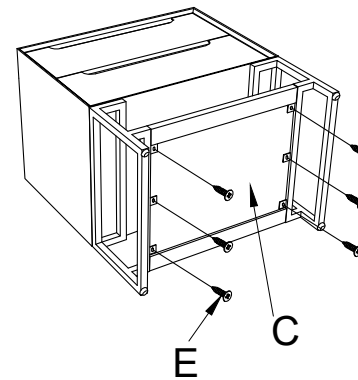
01



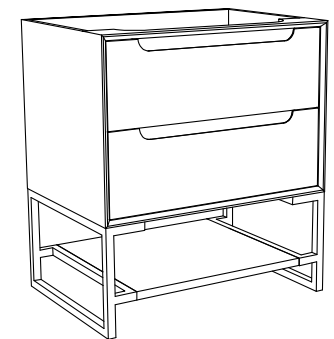
02



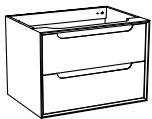
03



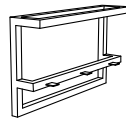
04



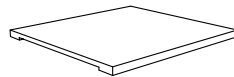
Ax1



Bx2



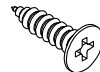
Cx1



Dx1



Ex1



Fx1

