

## MIRO 1500D

M150D

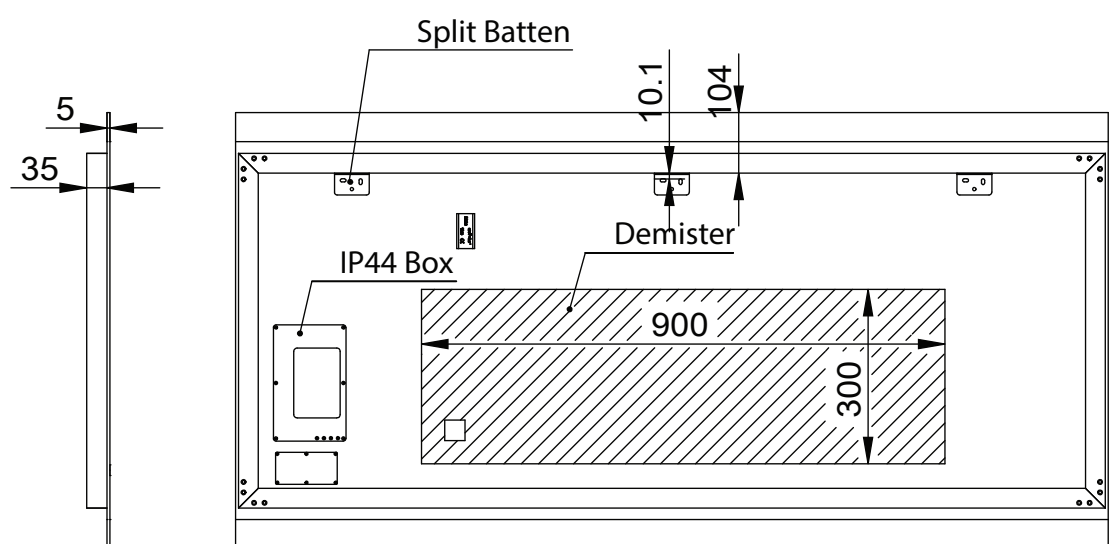
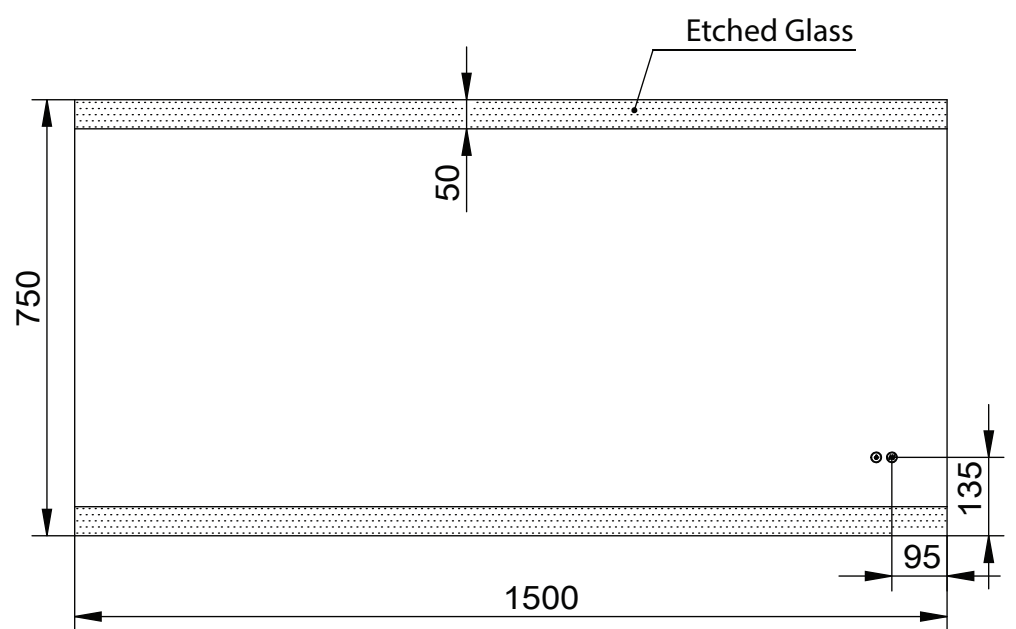


### Size (mm):

|        |      |
|--------|------|
| Width  | 1200 |
| Height | 700  |
| Depth  | 40   |

### Features

- LED Lighting
- Copper Free Mirror
- Demister (1 Hour Auto Cut-off)



**WARRANTY**  
5 years

\*Conditions apply

To clean this mirror, wipe it with a soft microfiber cloth or a lint free cloth that has been rinsed in warm water and wrung out well, then rub the mirror gently with a soft dry cloth.

**PLEASE do not use glass or window cleaner, or other cleaners with chemical agents. These may damage the silver coating and brown marks can result.**

Please confirm all particulars with your sales consultant or refer to our website for more information prior to purchase.