



*Great Services, Great Design, Great Product*

## **Donna Wall Faced Rimless Toilet Suite** 3.5L Average Flush Registration No: **L07185**

Product Code: **MB-016**

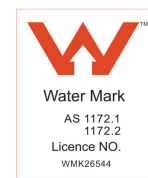
Rimless Two-pieces Wall Faced Toilet Suite

Size: 620x375x810mm

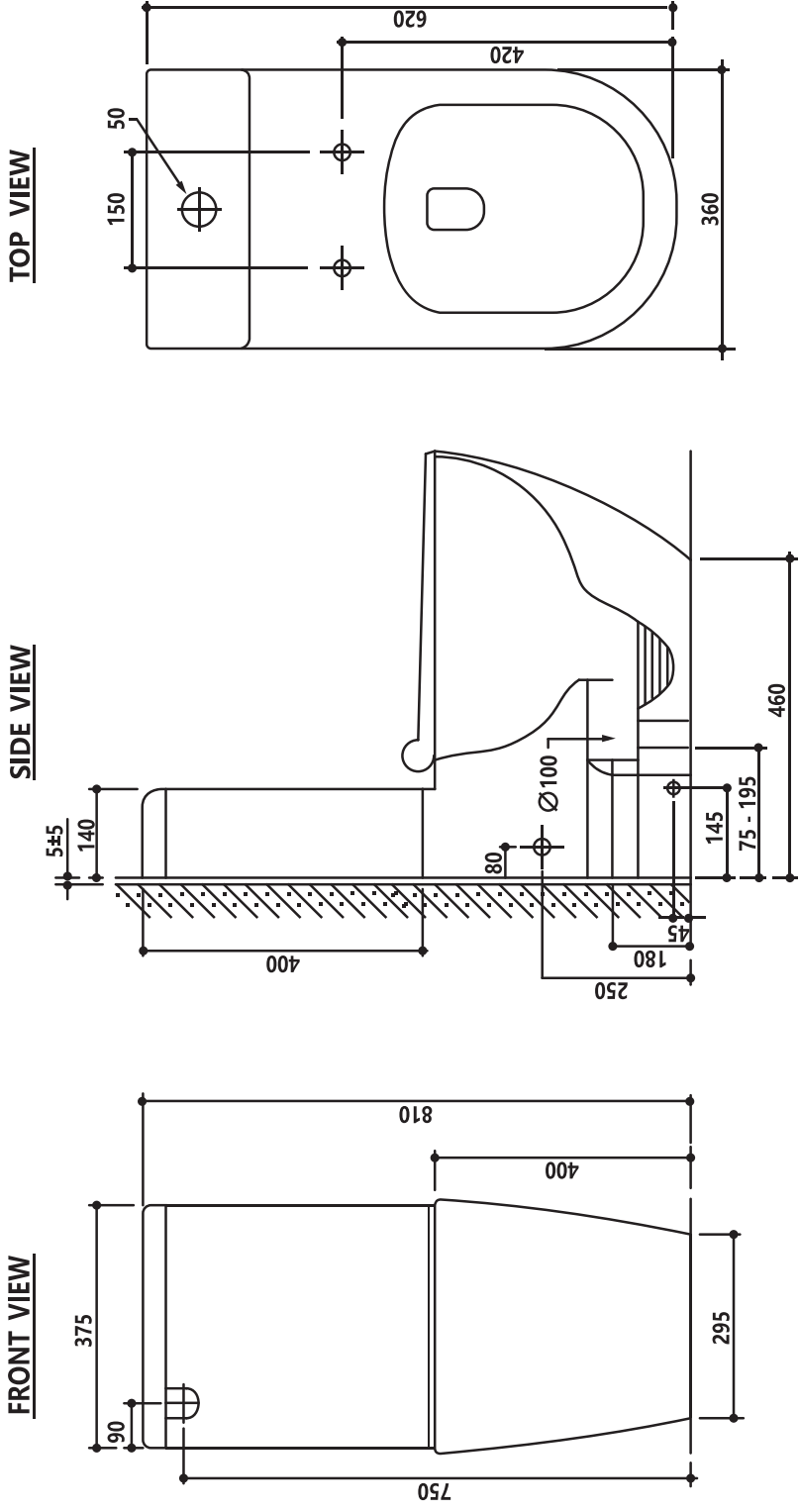
S-trap: 75-195mm

P-trap: 180mm

Soft Closing Slim Toilet Seat



# DONNA MB-016



Product Warranty-For warranty protection use a licensed plumber

15 Years Warranty on Ceramic

3 Years Warranty on Parts

1 Year Warranty on Toilet Seat

First 12 months On site Support

## Product Care:

Toilet hinges are meant to allow the seat to move up and down, not from side to side

Tight the Toilet Seat Back Down If the Toilet Seat Loose

Water levels can be corrected by a small adjustment to the fill valve

Use a soft brush and a gentle toilet cleaner. Do not use abrasive chemical.

Do not use strong chemical to clean the toilet seat