

SOAP DISPENSERS



ML605BS

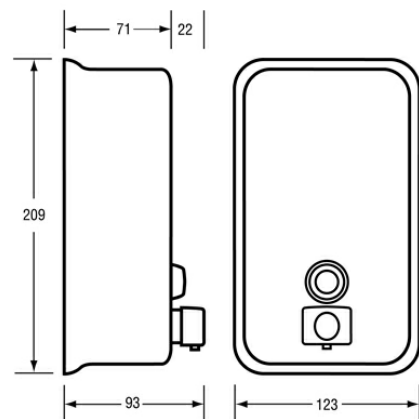
Vertical Button Pump Soap Dispenser in Satin Stainless Steel

Specification

| | |
|-------------------|--|
| Material | #304 Stainless Steel, 0.8mm Thick Body, Black ABS Pump Button |
| Finish | Satin Stainless Steel |
| Mounting | Surface Mount Concealed Fix |
| Dimensions | 209mmH x 123mmW x 93mmD |
| Capacity | 1.2L |
| Features | Pump action soap dispenser valve Impact-resistant liquid level indicator Lockable hinged lid (key provided) |
| Consumable Advice | A Commercial Grade Liquid Soap with a Viscosity range of 1,000 – 5,000 cps (centipoises) and a PH level between 6.50 – 9.00 should be used in this dispenser to ensure the dispenser performs at an optimal level. <i>* Any liquids not within these ranges may cause the unit to operate at a sub-optimal level, fail or damage the unit and could void the Metlam Australia product warranty.</i> |
| Note | * This unit is accessible compliant when installed in accordance with AS1428.1. guidelines. |
| Consumable | Liquid Hand Soap Aloe Vera - ML HLS |

Downloads & Resources

Care & Maintenance
 Installation instructions
 Auto cad
 Archi cad
 Revit
 Google sketch up
 Associated Videos
 Stainless Steel Cleaning & Maintenance
 Looking after your Metlam Australia Soap Dispenser



The photographs and line drawings of the products presented above are representational only. Metlam Australia Pty Ltd reserves the right to, and from time to time, make changes and improvements in design and dimensions.