

# PAPER TOWEL / COMBINATION UNITS



## ML725SS\_MK2

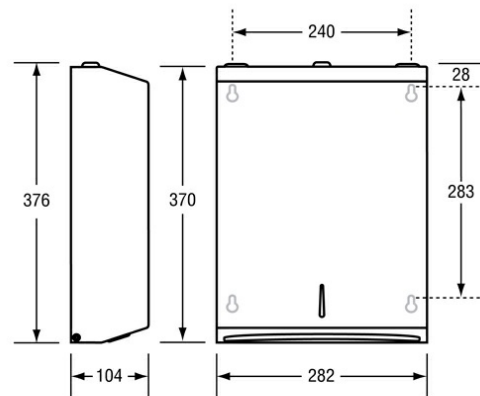
Paper Towel Dispenser in Satin Stainless Steel

### Specification

Material	#304 Stainless Steel
Finish	Satin Stainless Steel
Mounting	Surface Mount Concealed Fix
Dimensions	376mmH x 282mmW x 104mmD
Features	Unit fitted with tumbler lock Front View Paper Indicator
Also Available	<a href="#">DESIGNER ML725</a> : Designer Matte Black <a href="#">ML725W MK2</a> : White
Note	Unit is supplied with 2 keys * This unit is accessible compliant when installed in accordance with AS1428.1. guidelines.
Consumable Advice	Requires Standard size commercial paper towel
Consumable	Slim Paper Towel - <a href="#">ML PT SLIM</a>

### Downloads & Resources

Care & Maintenance  
 Installation instructions  
 Auto cad  
 Archi cad  
 Revit  
 Google sketch up  
 Associated Videos  
 Stainless Steel Cleaning & Maintenance



*The photographs and line drawings of the products presented above are representational only. Metlam Australia Pty Ltd reserves the right to, and from time to time, make changes and improvements in design and dimensions.*