

# HAND DRYERS



## ML\_ECOSLENDER05\_SS

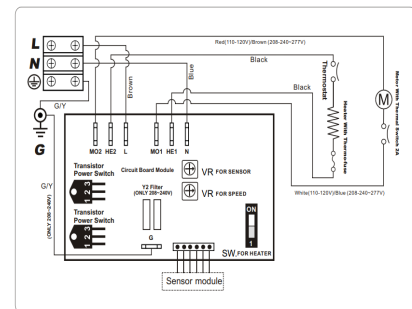
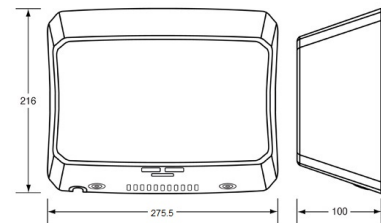
EcoSlender Slimline Automatic Operation Hand Dryer in Satin Stainless Steel

### Specification

Material	1.2mm #304 Satin Stainless Steel
Features	Contemporary curved design Patented high-flow dual air outlets
Motor	Brush Type Dual Ball Bearings 16,000-29,000 RPM 95°C auto reset overload
Power Use	240V, 50Hz, 1000W, 4.17A
Sound Level	68.9dB - 74.3dB (Adjustable)
Drying time	Less than 15 seconds
IP Rating	IP24
Element	325W - 500W (Adjustable)
Heater	ON/OFF Heating Options 85°C auto-resetting thermostat 142°C auto reset safety cut off
Warm Air	Speed: 45.5m/s - 70m/s (Adjustable) Temp: Ambient +25°C
Protection	60-sec power cut off, auto reset
Sensor/Range	Infrared Automatic, Self Adjusting 170mm+/-20mm Blue LED indicates operation/range
Case Security	2 SS theft-resistant hex drive screws (hex key supplied)
Net Weight	3.8kg
Dimensions	275.5mmW x 216mmH x 100mmD
Warranty	5 Year Warranty (3 Years Parts and Labour + 2 Years Parts only)

Note \* The unit can be hard wired by an electrician or used with the cord and plug provided.

\* This unit is accessible compliant when installed in accordance with AS1428.1. guidelines



### Downloads & Resources

[Care & Maintenance](#)  
[Installation instructions](#)  
[Mounting template](#)  
[Revit](#)  
[Promotions](#)  
[Associated Videos](#)  
[Stainless Steel Cleaning & Maintenance](#)  
[Discover the Difference](#)

## TroubleShooting your Metlam Australia Hand Dryer

*The photographs and line drawings of the products presented above are representational only. Metlam Australia Pty Ltd reserves the right to, and from time to time, make changes and improvements in design and dimensions.*