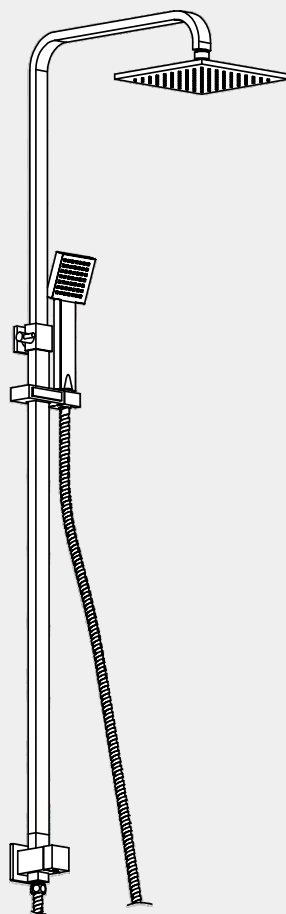


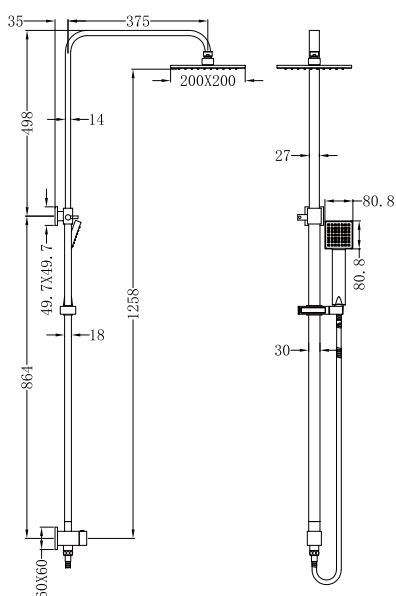
Square Twin Shower Bottom Inlet

Nero



Versions:202401

Top/Back



Specifications

Watermark License

WM-060093

Temperature Rating

Min 1°C-Max 75°C

Pressure Rating

Min 150kpa - Max 500kpa

Finish & SKU

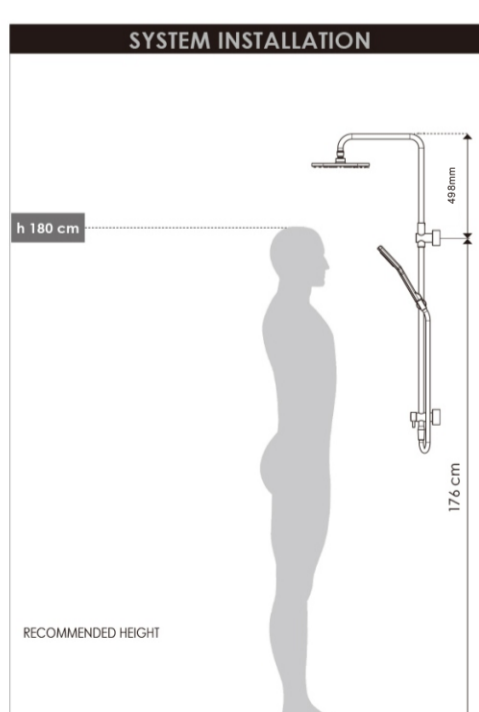
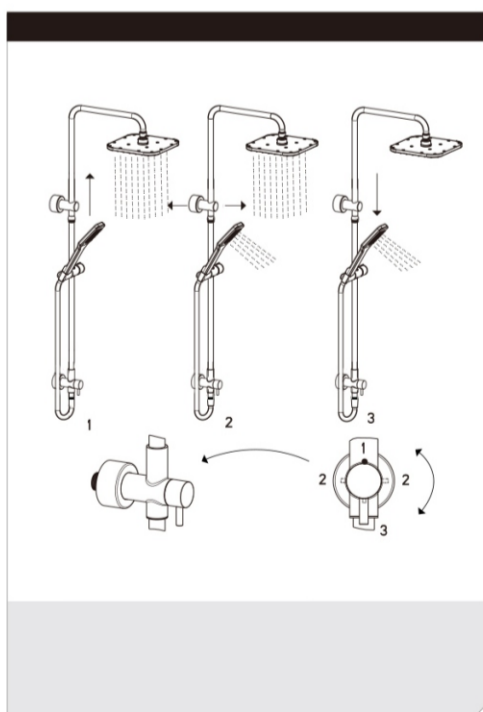
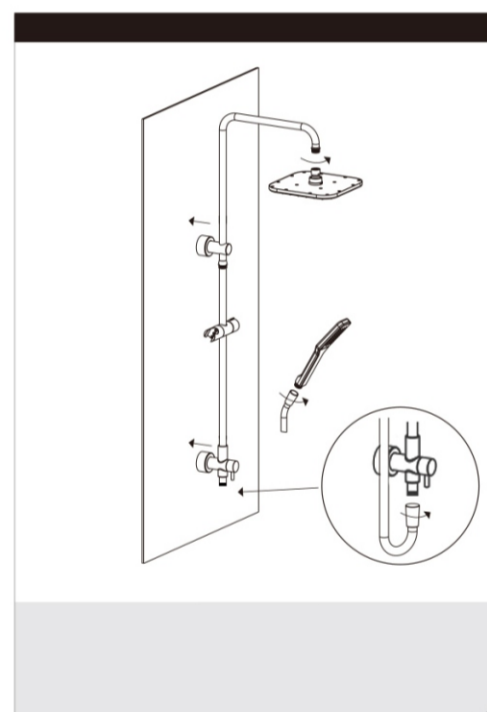
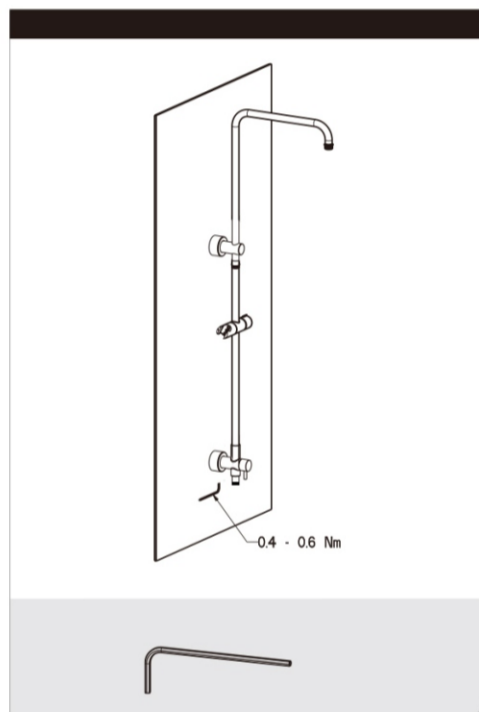
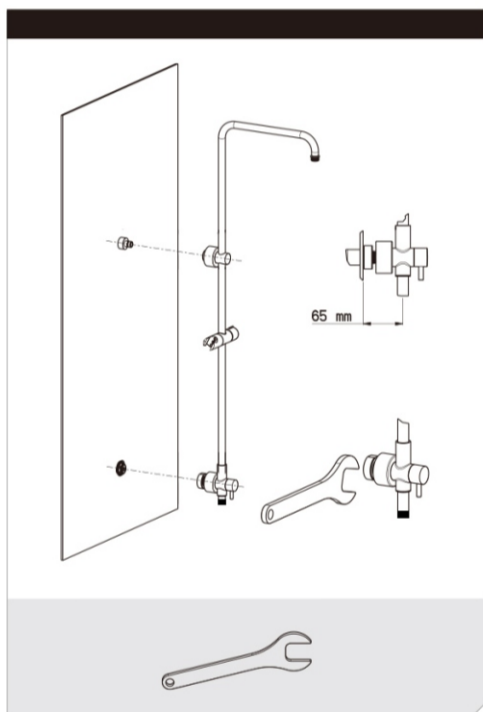
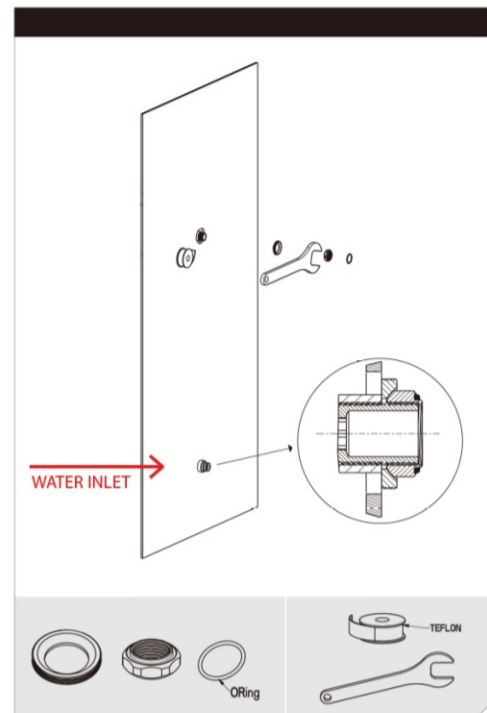
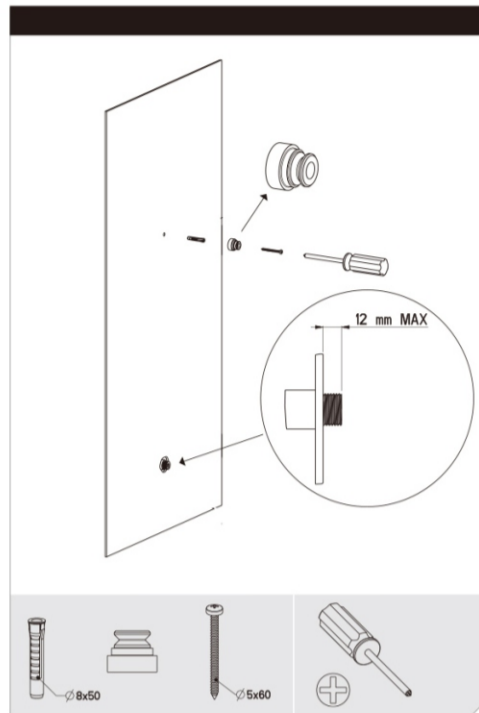
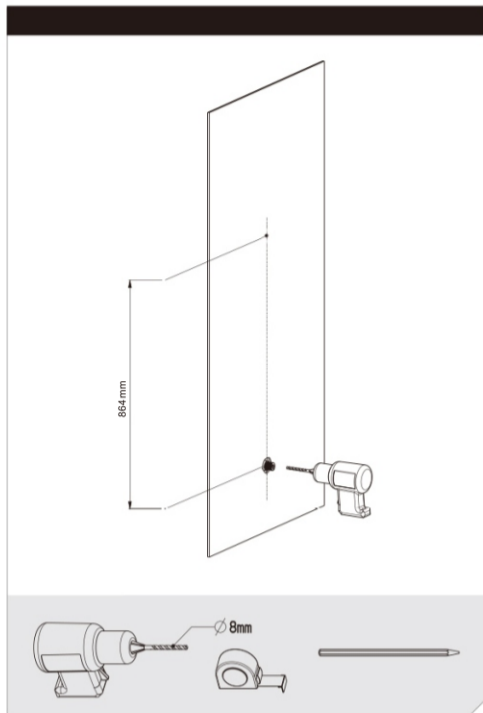
Chrome
NR200705bbCH

Packaging Includes

1x Shower Arm
1x Shower Rail
1x Shower Head
1x Hand Shower (Built-In Check Valve)
1x Shower Hose

*Dimensions are nominal measurements only.

Installation Instruction



Nero

info@nerotapware.com.au
nerotapware.com.au

11-13 Buontempo Road
Carrum Downs Vic 3201

