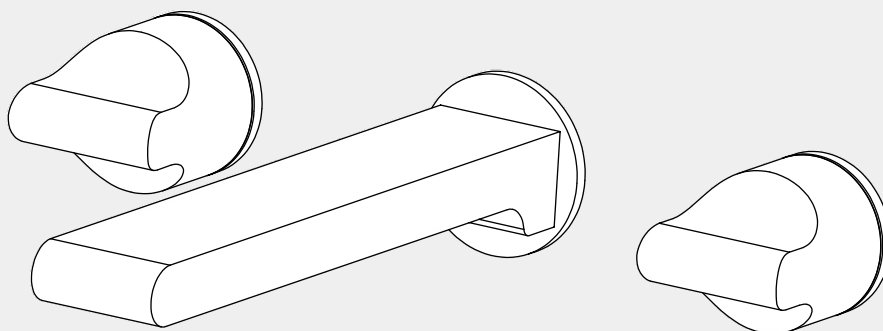


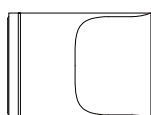
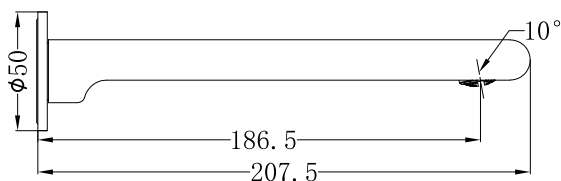
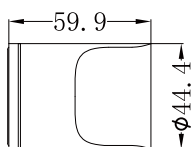
Pearl Wall Basin Set

Nero



Versions:202401

Top/Back



Specifications

Watermark License

WM-060073

Temperature Rating

Min 1°C-Max 75°C

Pressure Rating

Min 150kpa - Max 500kpa

Packaging Includes

2x Handwheels
1x Allen Key
1x Spout

Finish & SKU



Chrome
NR201707aCH



Gun Metal
NR201707aGM

*Dimensions are nominal measurements only.

1

cap*2
grub screw*2
screw*2
adapter*2
lock flange*2
lock nut*2
washer*2
quick-opening valve*2
dressing plate*1
spout*1
cut off gauge

49.5
49.5
50
75
38-48
15-25
23
35
G5/8

handle wheel*2

2

Install the standard tap seat body in advance.

ceramic tile wall standard tap seat body

3

lock nut washer quick-opening valve standard tap seat body

1. Screw the quick-opening valve onto the body tightly.
2. Put on the washer and screw the lock nut on the quick-opening valve.

4

lock flange cut off gauge ceramic tile wall

Screw lock flange and cut off gauge tightly on the lock nut in a row.

5

cut off remaining thread ceramic tile wall

1. Cut off remaining thread against to the cut off gauge.
2. Use a file to make the cutting surface flat and smooth.

6

screw adapter ceramic tile wall

1. Take off the cut off gauge.
2. Put on the adapter.
3. Fasten the screw firmly.

7

cap grub screw handle wheel ceramic tile wall

1. Put on the handle wheel.
2. Fasten grub screw firmly.
3. Put cap back on handle wheel.

8

spout washer dressing plate ceramic tile wall

1. Put the dressing plate, the washer on the outlet successively.
2. Revolve the spout onto the outlet.

Nero

info@nerotapware.com.au
nerotapware.com.au

11-13 Buontempo Road
Carrum Downs Vic 3201

