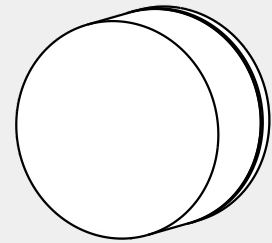
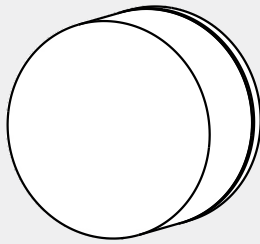


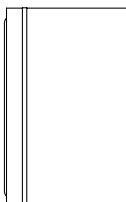
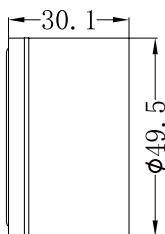
Kara Wall Top Assemblies

Nero



Versions:202401

Drawing



Specifications

Watermark License

WM-060073

Temperature Rating

Min 1°C-Max 75°C

Pressure Rating

Min 150kpa - Max 500kpa


Packaging Includes

2x Handwheels
1x Allen Key


Finish & SKU


 Chrome
NR211709CH

 Gun Metal
NR211709GM

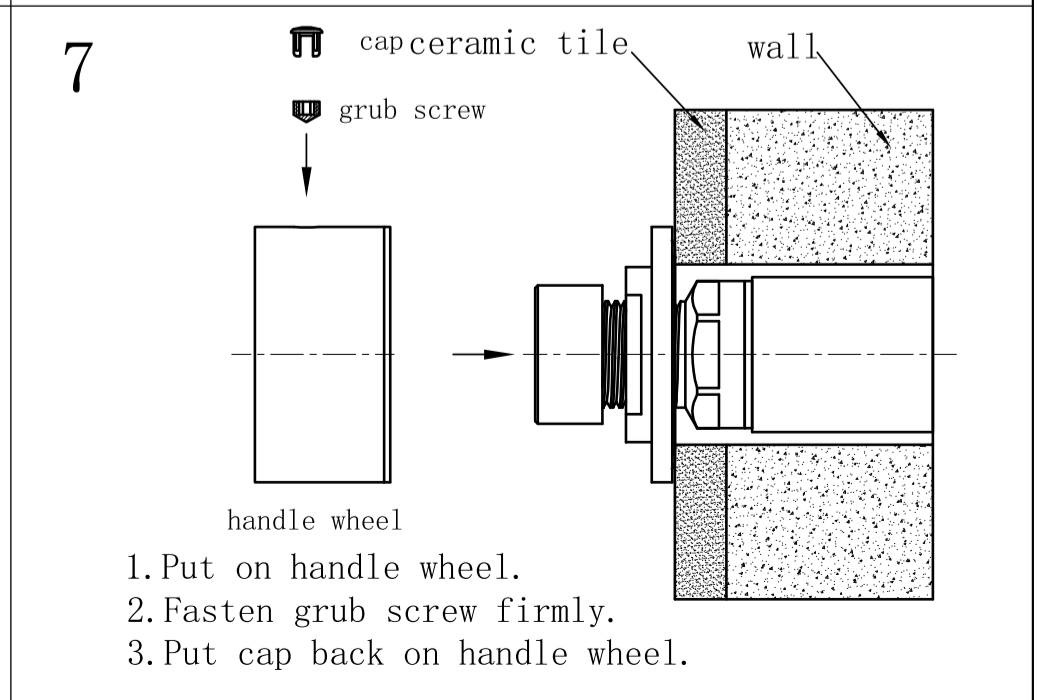
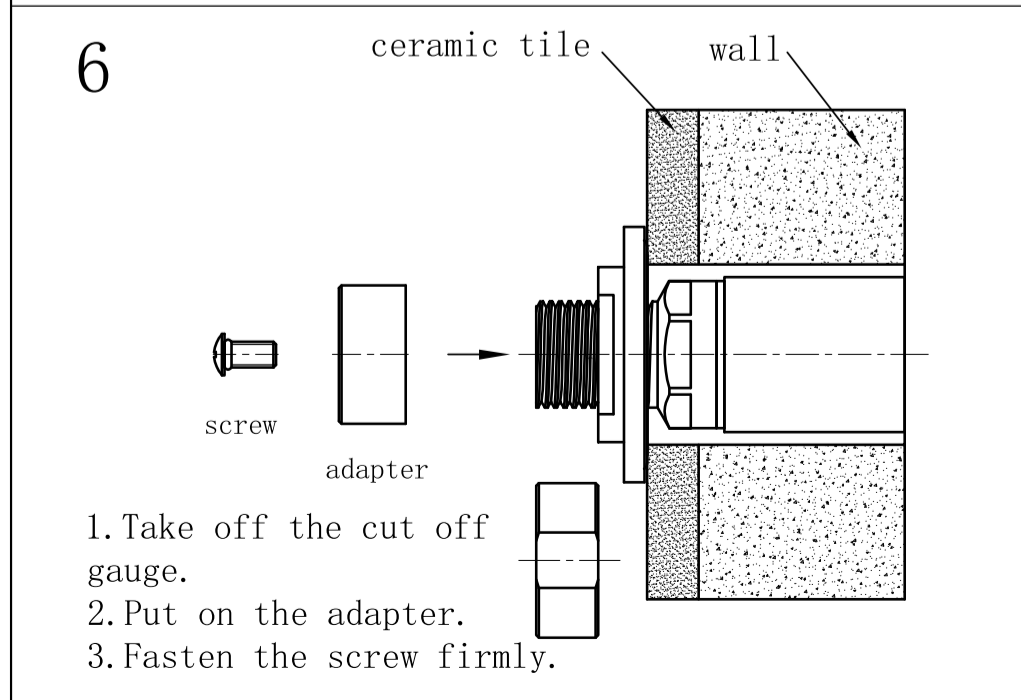
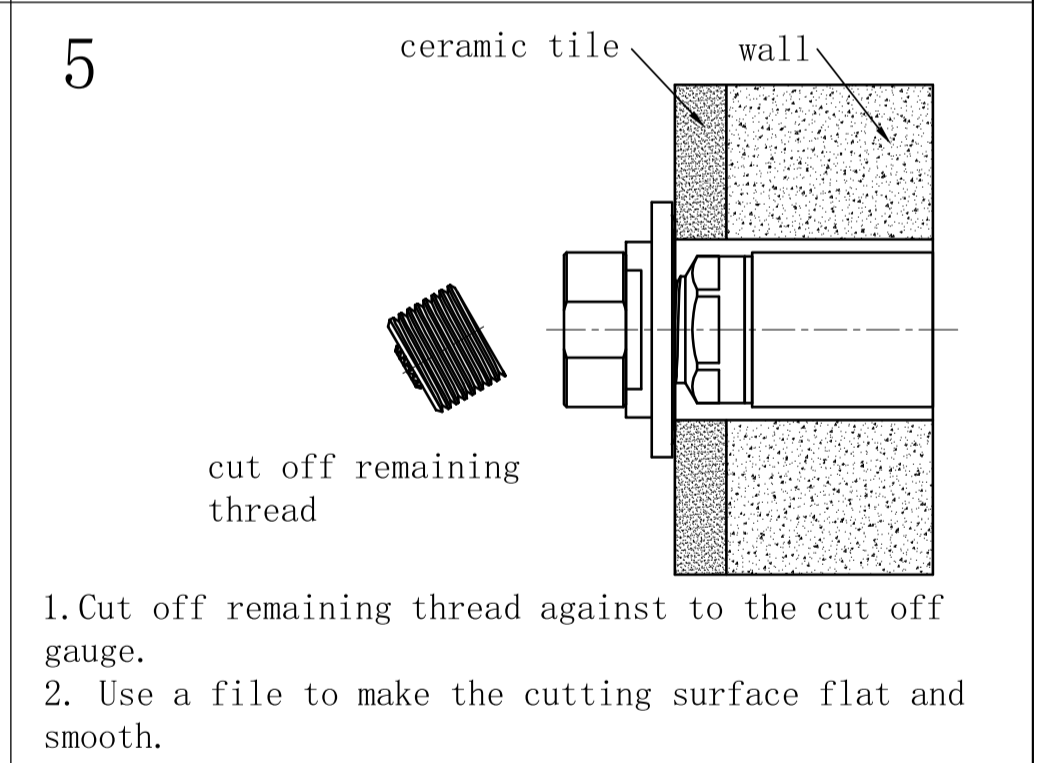
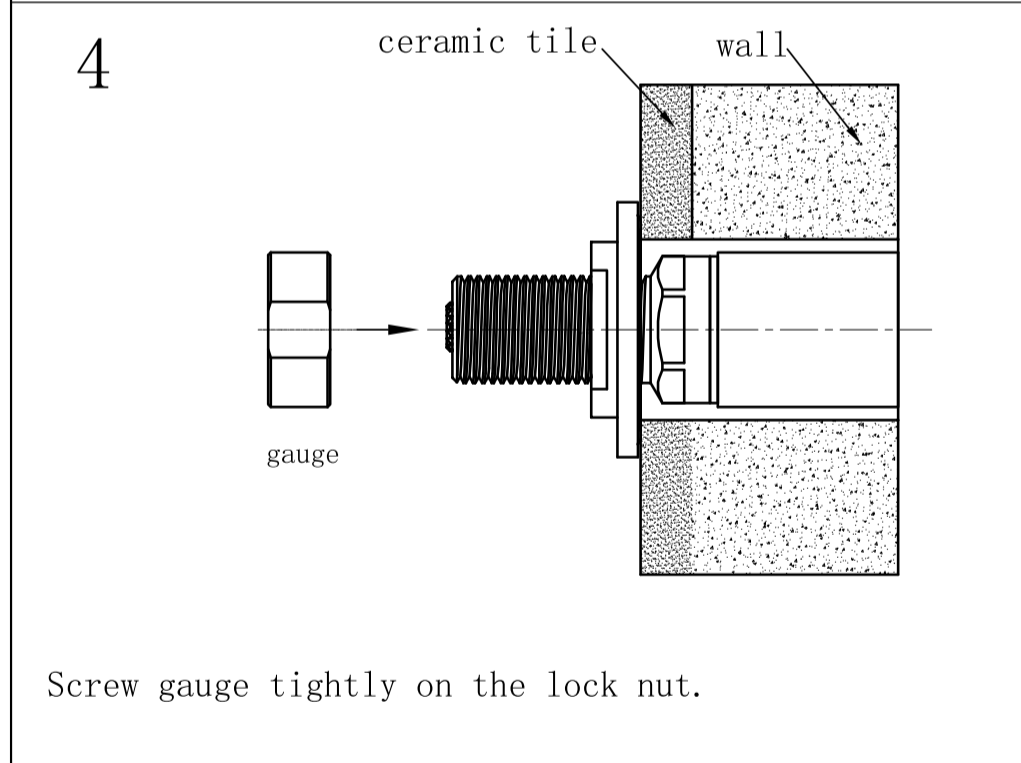
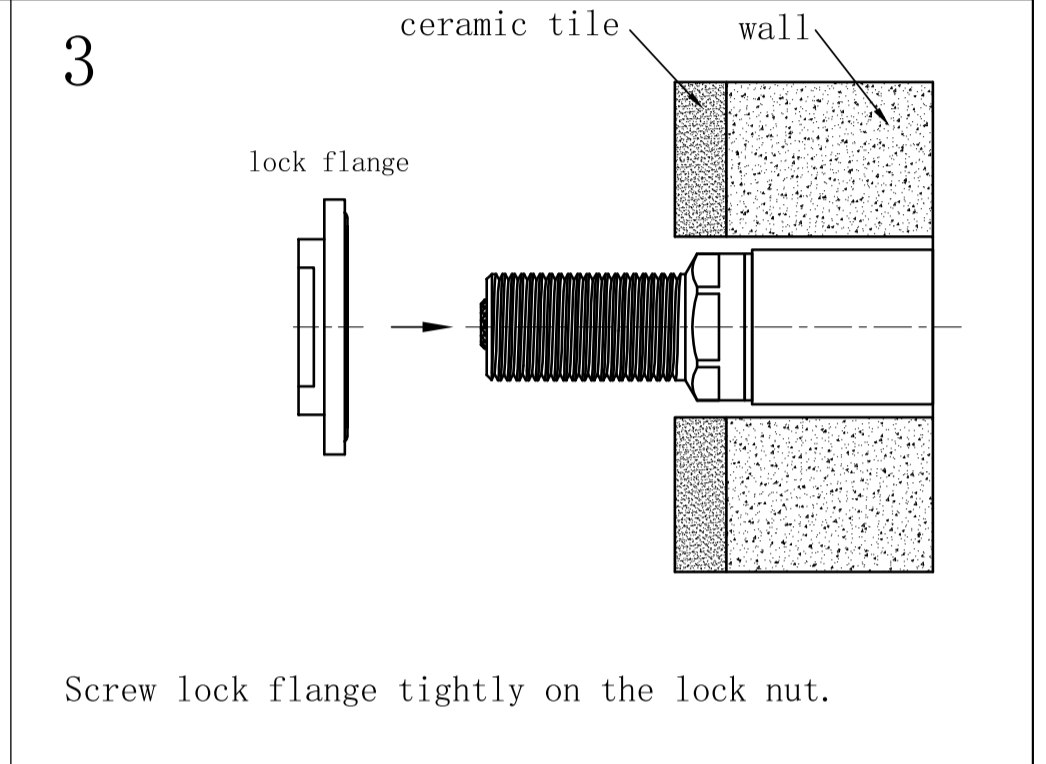
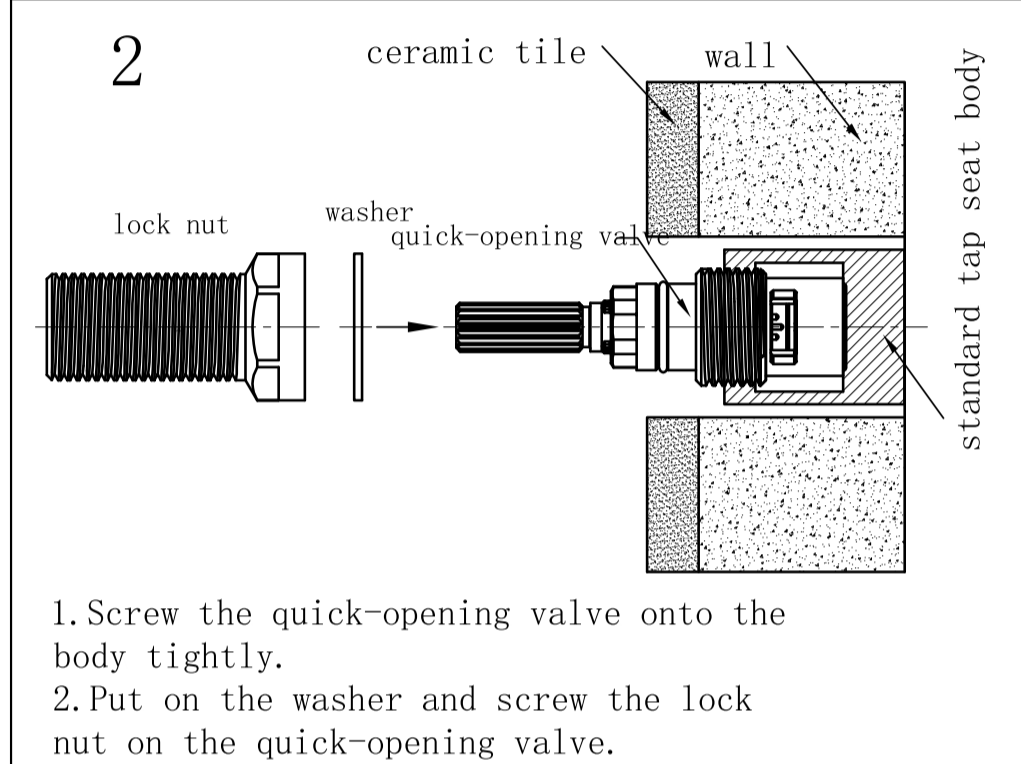
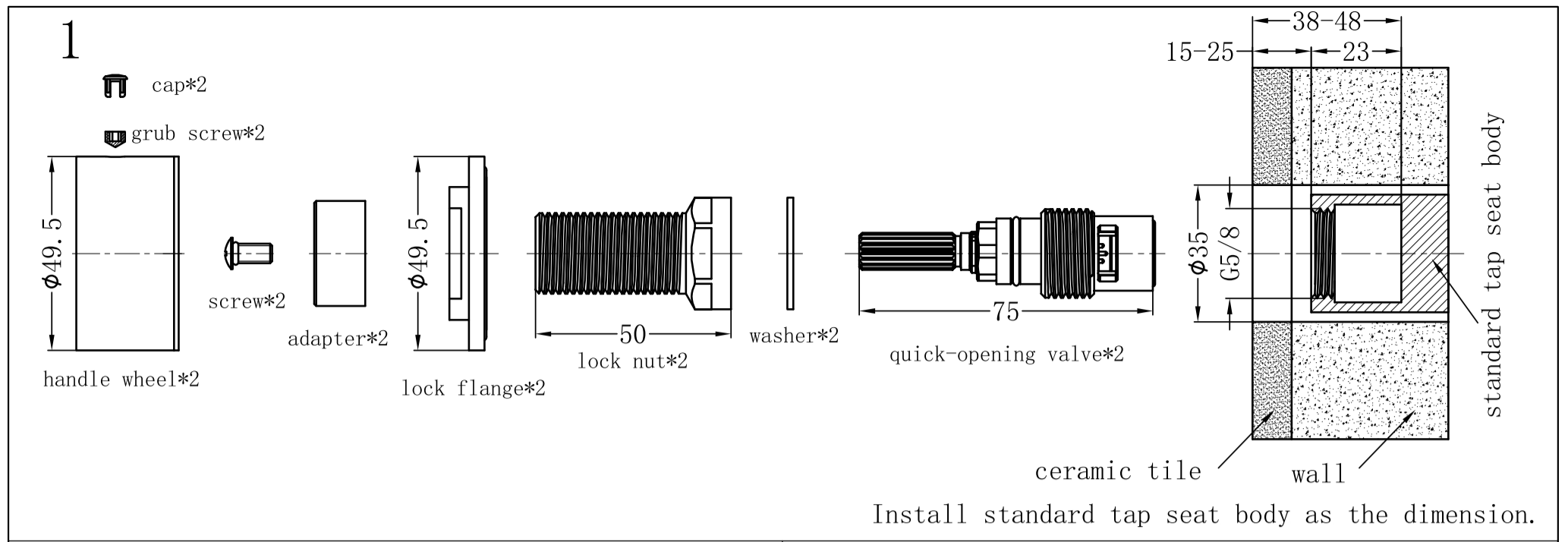
 Brushed Bronze
NR211709BZ

 Matte Black
NR211709MB

 Brushed Gold
NR211709BG

 Brushed Nickel
NR211709BN

*Dimensions are nominal measurements only.



Nero

info@nerotapware.com.au
nerotapware.com.au

11-13 Buontempo Road
Carrum Downs Vic 3201

