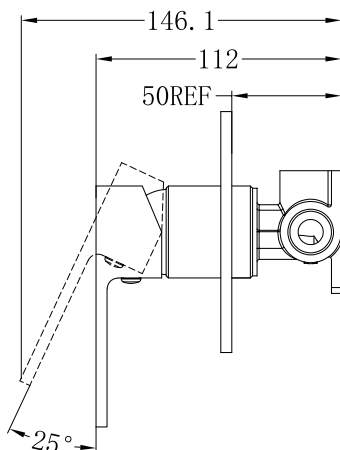
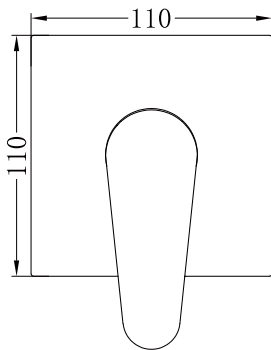


Victor Shower Mixer



Dimensions are nominal measurements only.

SPECIFICATION

PRODUCT CODE	YSW2214-09
WELS RATING	N/A
WATERMARK LICENSE	WM-060073
TEMPERATURE RATING	MIN 1°C-MAX 75°C
PRESSURE RATING	MIN 150KPa-MAX 500KPa

FINISH



CHROME
NR221409CH



MATTE BLACK
NR221409MB

MAINTENANCE AND CARE

All surfaces should be cleaned with mild liquid detergent or soap and water.

Do not use cream cleaners or citrus based cleaning products, as they are abrasive.

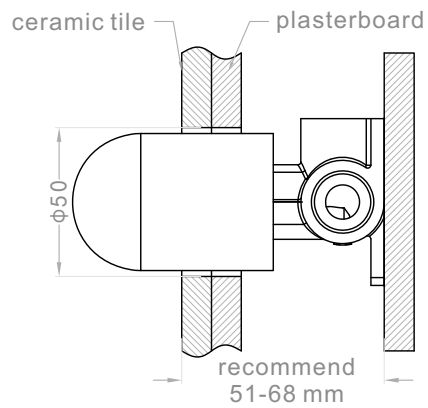
Use of unsuitable cleaning agents may damage the surface. Any damage caused in this way will not be covered by warranty.

PACKING INCLUDES

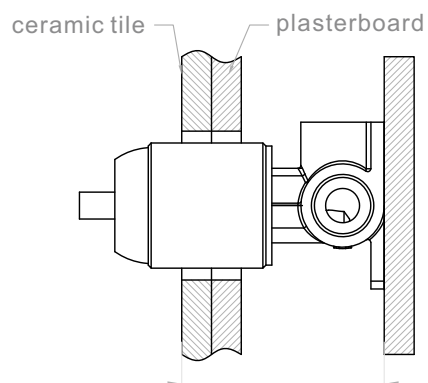
- 1x mixer body
- 1x handle
- 1x plate
- 1x accessories pouch



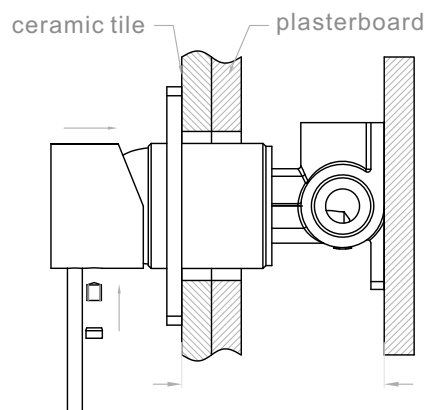
Installation Instruction



1. Fix body on noggin and ensure installation depth is 51-68mm from noggin to ceramic tile.
2. Connect cold water hose and hot water hose and test for leakage.
3. Install plasterboard and ceramic tile after drilling a $\phi 50$ hole according to above picture.



4. Remove the plastic sleeve of body.



5. Install plate and handle.