

Mecca Shower Mixer Divertor System



SPECIFICATION

PRODUCT CODE	YSW2219-03F
WELS RATING	4 STAR 7.5L/MIN
WATERMARK LICENSE	WM-060073
TEMPERATURE RATING	MIN 1°C-MAX 75°C
PRESSURE RATING	MIN 150KPa-MAX 500KPa

FINISH

	CHROME NR221903fCH		MATTE BLACK NR221903fMB
	BRUSHED NICKEL NR221903fBN		GUN METAL NR221903fGM
	BRUSHED GOLD NR221903fBG		BRUSHED BRONZE NR221903fBZ
	MATTE WHITE NR221903fMW		

MAINTENANCE AND CARE

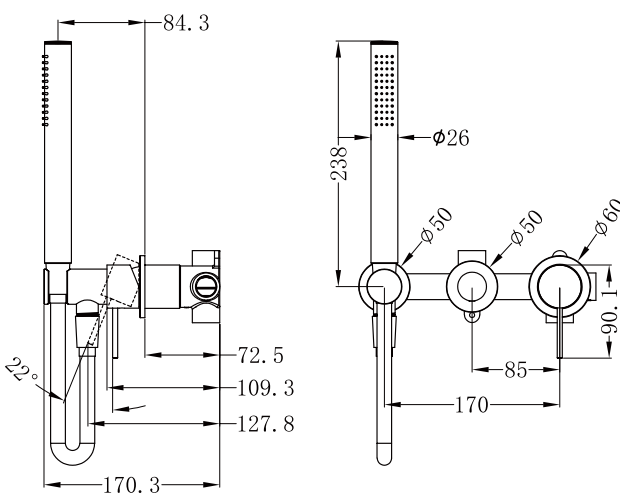
All surfaces should be cleaned with mild liquid detergent or soap and water.

Do not use cream cleaners or citrus based cleaning products, as they are abrasive.

Use of unsuitable cleaning agents may damage the surface. Any damage caused in this way will not be covered by warranty.

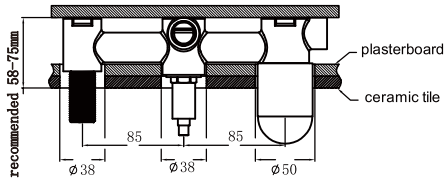
PACKING INCLUDES

- 1x body
- 1x plate
- 1x handle
- 1x hand wheel
- 1x hand shower
- 1x 1m PVC hose
- 1x install kits

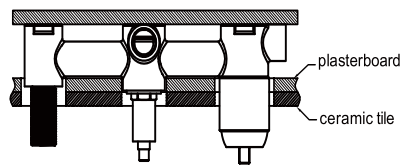


Dimensions are nominal measurements only.

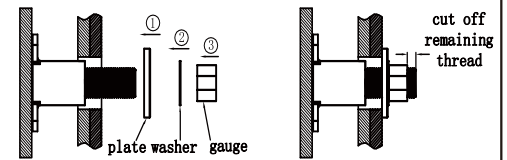




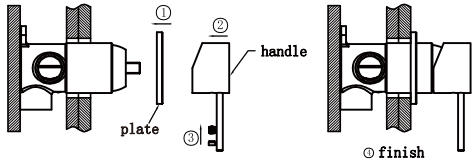
1. Fix body on noggin and ensure install depth is 58-75mm from noggin to ceramic tile.
2. Connect cold water hose and hot water hose and conduct water pressure test for leakage.
3. Install gypsum board and ceramic tile after drilling a $\phi 50$ and two $\phi 38$ holes according to above picture.



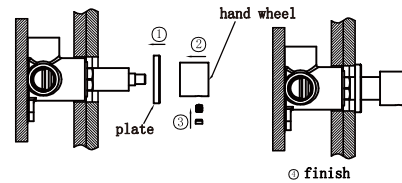
4. Remove the plastic sleeve.



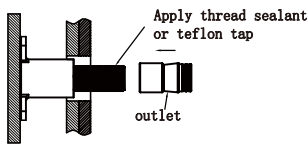
5. Put plate, washer and gauge onto outlet successively as above picture. Cut off remaining thread against to the cut off gauge. Then take off gauge, washer and plate.



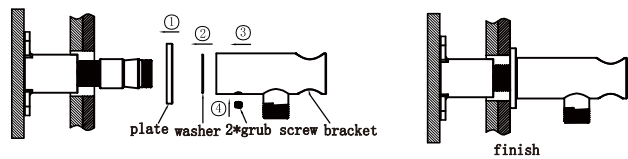
6. Install plate and handle onto body successively.



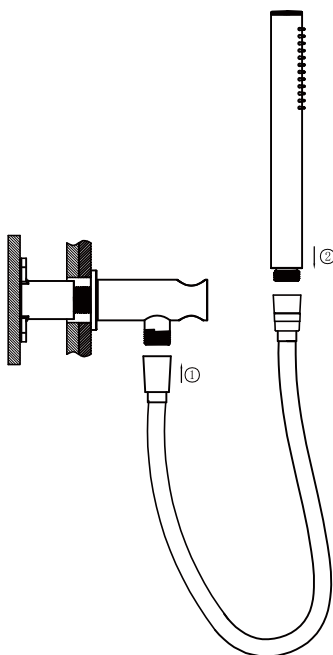
7. Install plate, hand wheel successively.



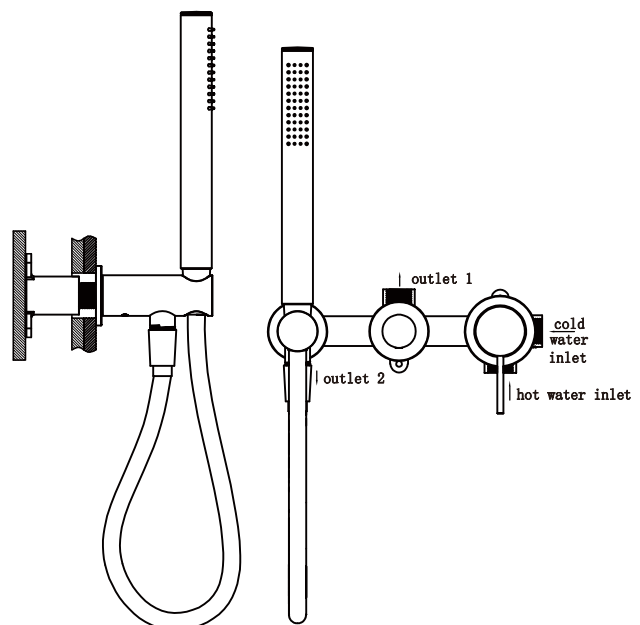
8. Apply thread sealant or teflon tap on outlet thread, tighten outlet onto outlet thread by wrench.



9. Install plate, washer, bracket onto outlet, tighten grub screw by hex wrench.



10. Connect bracket and hand shower with hose.



11. TEST & CHECK FOR LEAKS.