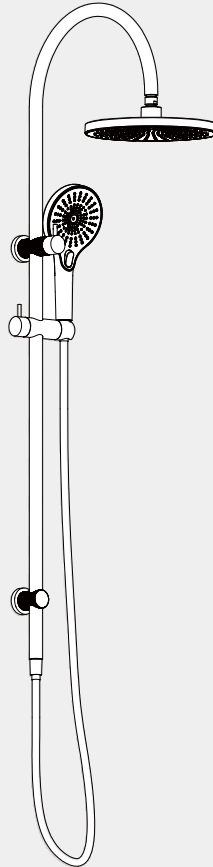


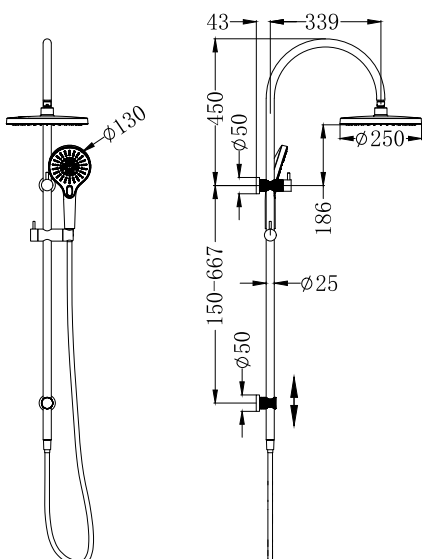
Opal Twin Shower

Nero



Versions:202401

Drawing



Specifications

Watermark License

WM-060093

Temperature Rating

Min 1°C - Max 75°C

Pressure Rating

Min 150kpa - Max 500kpa

Finish & SKU

 Brushed Bronze NR251905eBZ	 Graphite NR251905eGR
 Brushed Gold NR251905eBG	 Brushed Nickel NR251905eBN

Packaging Includes

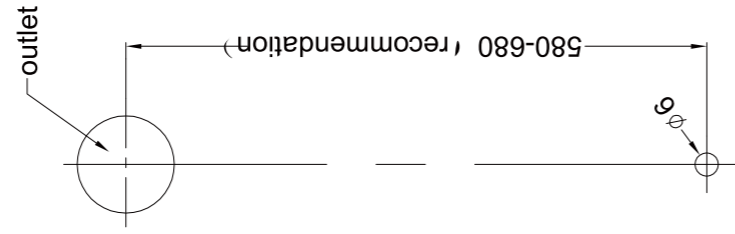
- 1x hand shower (builtin check valve)
- 1x shower head
- 1x shower arm
- 1x shower rail
- 1x 1.5m PVC hose
- 2x back plates
- 1x slider bracket

*Dimensions are nominal measurements only.

Important

All products must be installed by licensed plumbers.

All pipework must be thoroughly flushed prior to installation, as foreign materials may block the flow regulating device and reduce the flow of water.



1. Drill a $\phi 6$ mm hole at the downwards outlet vertical downward position in the recommendation range.

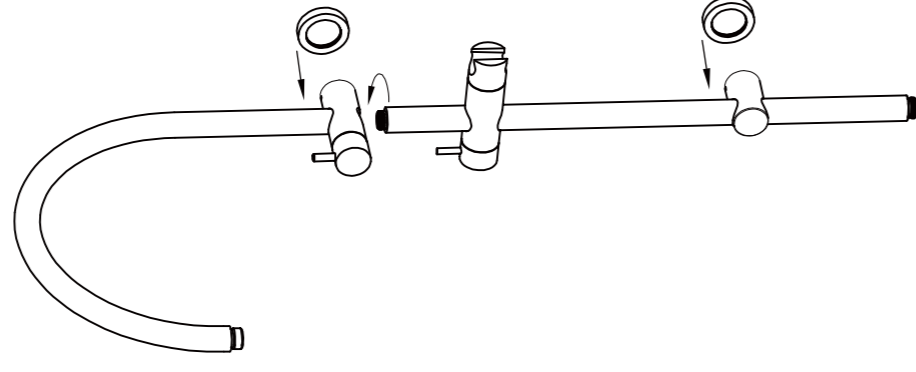
G1/2



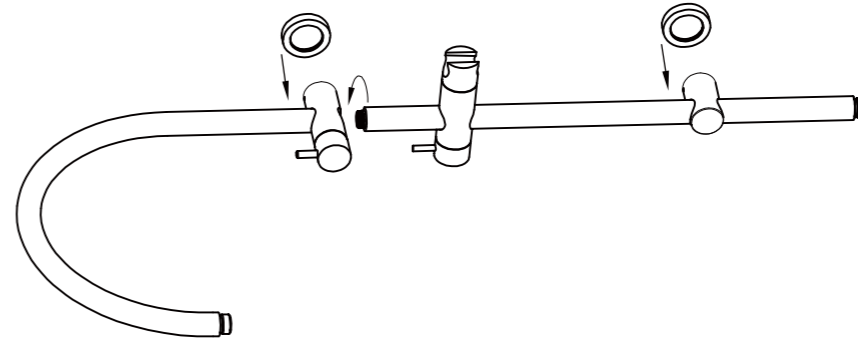
Apply thread seal sealant or teflon tape



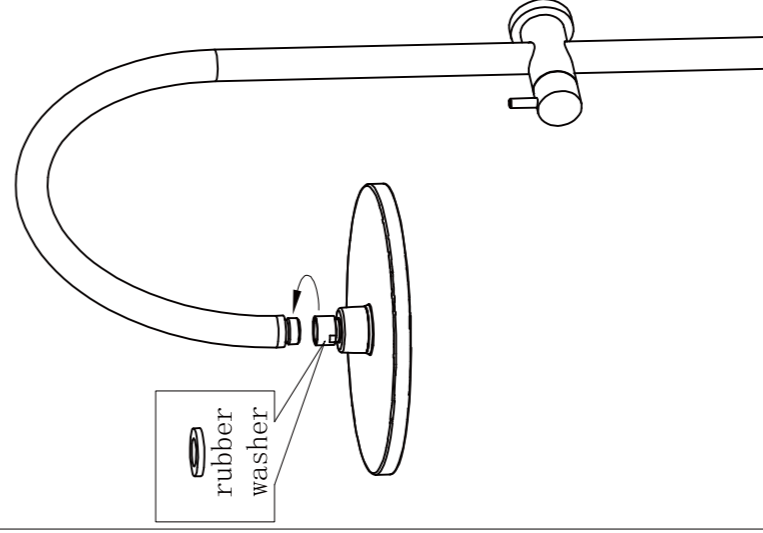
2. Screw the adapter onto the outlet. Push wall plug into drilled hole. Fit lower mounting pillar in place with screw. Tighten firmly.



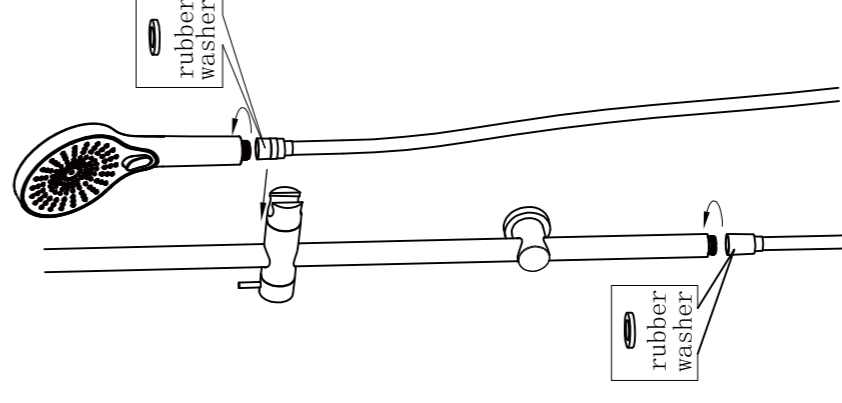
3. Screw shower rail into shower arm component. Tighten firmly. Push 2 back plates onto shower arm component and lower mounting pillar.



4. Locate and push shower rail assembly onto wall adaptors. Tighten grub screws firmly with allen key provided. Slide the back plates against the wall/tile face properly.



5. Screw shower head to shower arm with care. (Note the rubber washer in the shower head.)



6. Please noted the rubber washer in the hand shower. Connect shower rail and hand shower with hose. **TEST & CHECK FOR LEAKS.**

Nero

info@nerotapware.com.au
nerotapware.com.au

11-13 Buontempo Road
Carrum Downs Vic 3201

