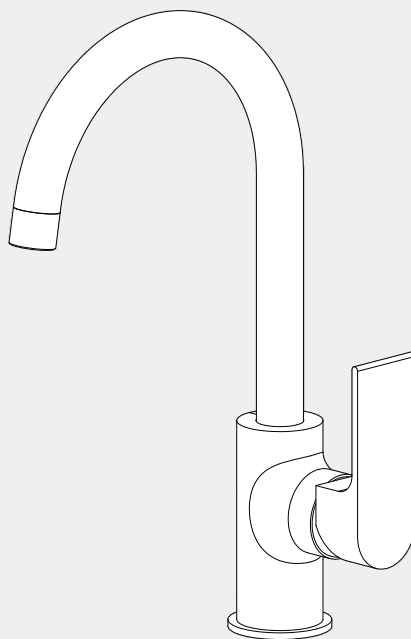


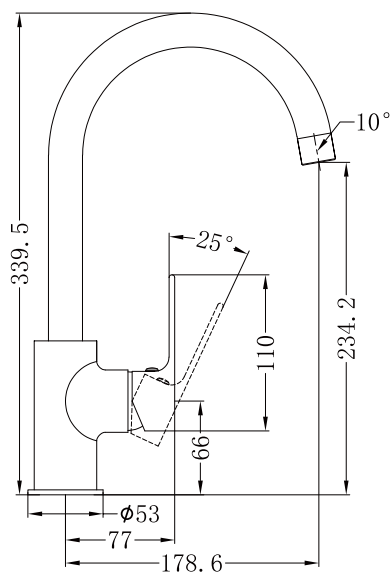
Bianca Kitchen Mixer Gooseneck Spout

Nero



Versions:202401

Drawing



Specifications

Watermark License

WM-060073

Temperature Rating

Min 1°C-Max 75°C






Pressure Rating

Min 150kpa - Max 500kpa

Packaging Includes

1x Kitchen Mixer
2x Flexible Hoses
1x Triangle Plate
1x Base Plate
1x Lock Nuts Set

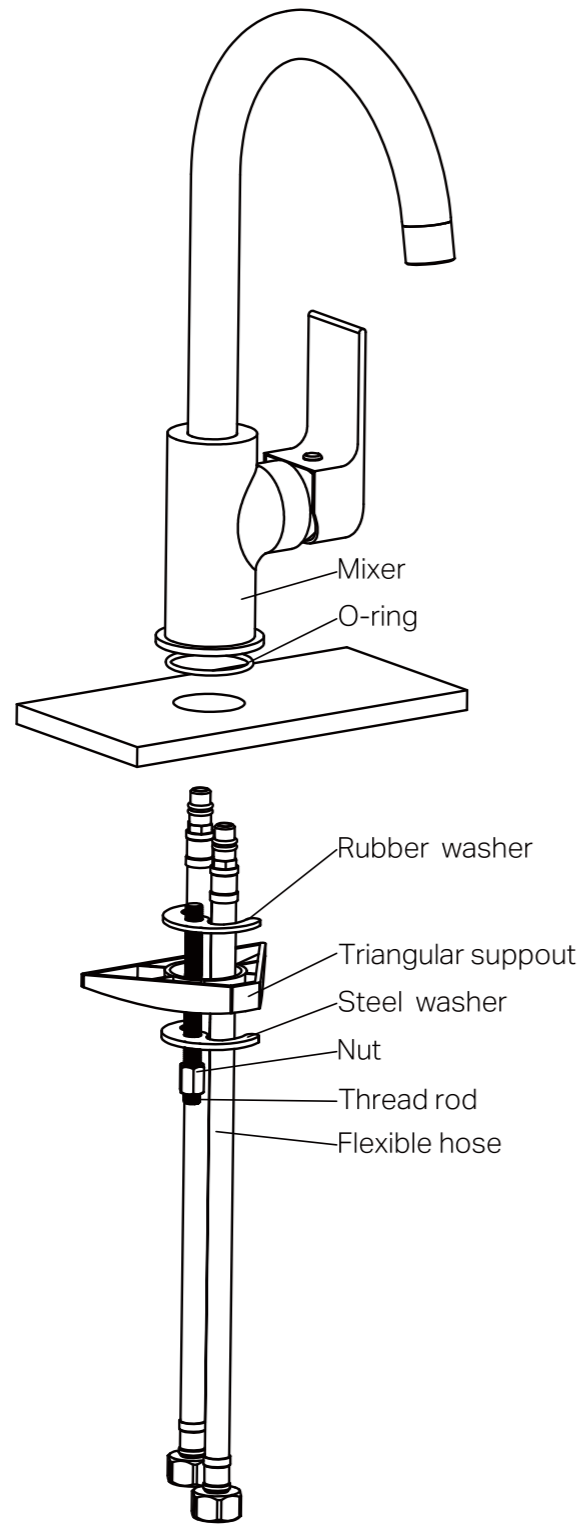
Finish & SKU

 Chrome NR321506CH	 Gun Metal NR321506GM	 Brushed Nickel NR321506BN
 Matte Black NR321506MB	 Brushed Gold NR321506BG	

*Dimensions are nominal measurements only.

Installation Instruction

IMPORTANT: Read all instructions before installing.



General:

Nero recommends this product is installed by a licensed plumber in compliance with all relevant regional regulations.

Do not hydrostatic test the installation with this mixer installed. Damage to the ceramic cartridge may occur. All pipe work must be thoroughly flushed prior to the installation of the mixer.

In-line filters must be fitted on both hot and cold supplies to prevent foreign particles damaging the ceramic cartridge.

Do not remove the ceramic cartridge from the mixer when installing.

After installation all connections must be checked for leaks.

All outlets used primarily for personal hygiene shall deliver water at a safe temperature as per regional regulations.

This mixer is not recommended for use in uncontrolled heating systems such as wet-backs or solar heating units unless a suitable tempering valve is fitted.

If limited water flow is experienced, locate aerator and filter washers and clean away foreign material as required.

It is the responsibility of the installer to ensure a waterproof seal is achieved between the product and mounting surface. If in doubt about the quality of the seal, remove the product and reinstall.

1. Screw Pin Screw into the mixer, and firmly tighten by tool.
2. Screw Flexible hoses into the mixer, and fully tighten by hand.
3. Position the base plate over the existing tap hole and make sure the O-ring is in the groove under the base plate.
4. Place the mixer onto the base plate.
5. Fit the rubber washer (and triangular support, if needed) then metal washer across the pin screw underneath the tap hole.
6. Firmly fasten the fixing nut onto the pin screw, and check mixer position if need to adjust.
7. Test and check for leaks.

Nero

info@nerotapware.com.au
nerotapware.com.au

11-13 Buontempo Road
Carrum Downs Vic 3201

