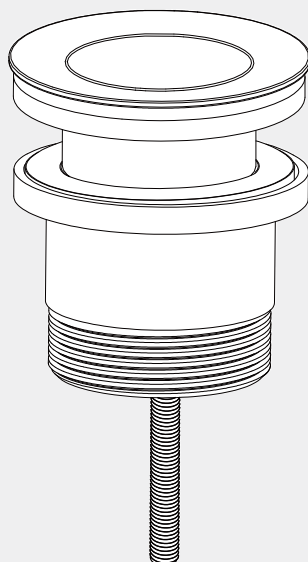


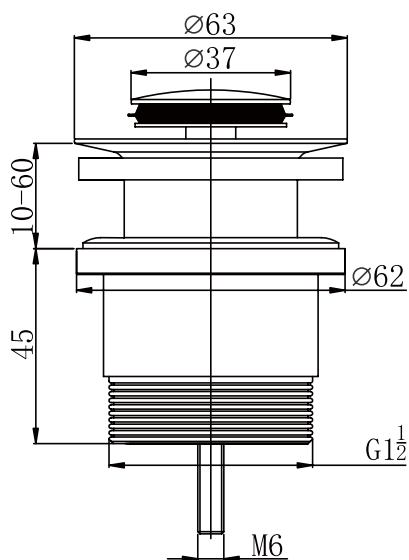
Universal Project Pop Up Waste

Nero



Versions:202311

Drawing



Specifications

SKU
NRA471
Watermark License
WMK26021

Finish

● Chrome
NRA471CH

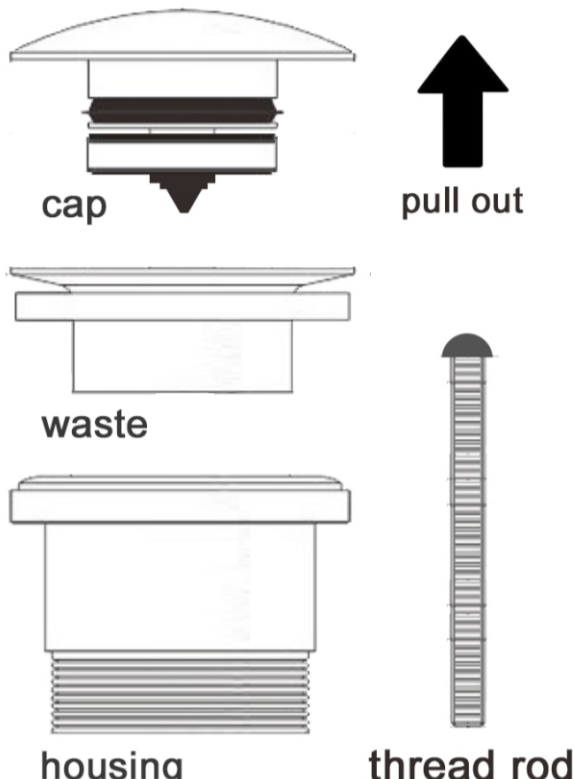
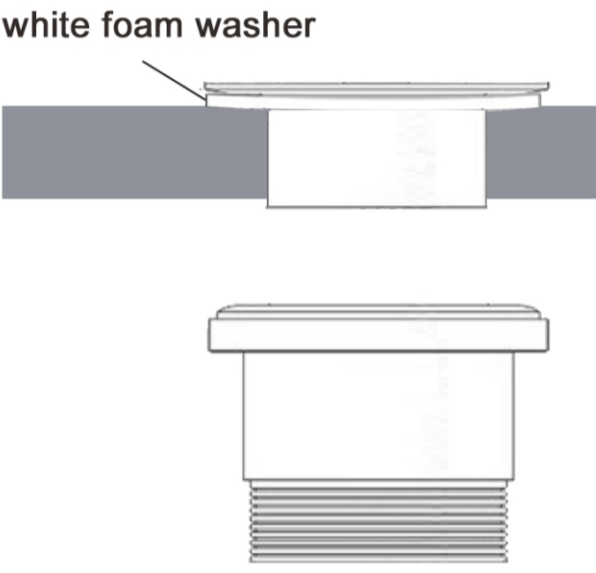
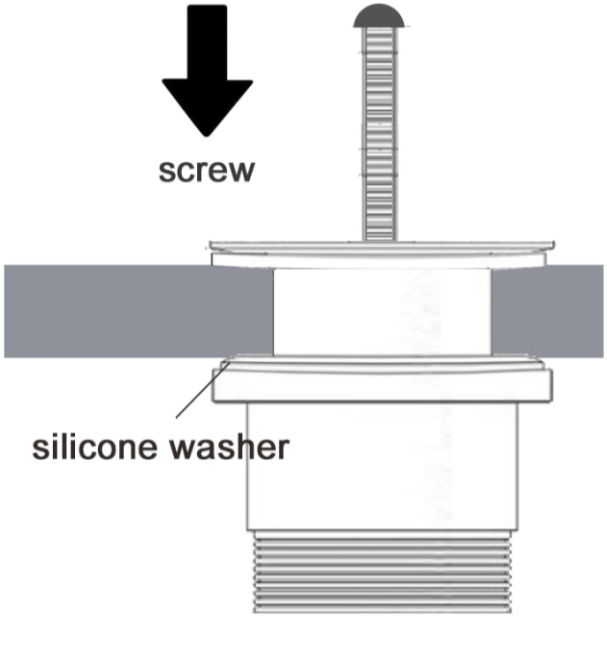
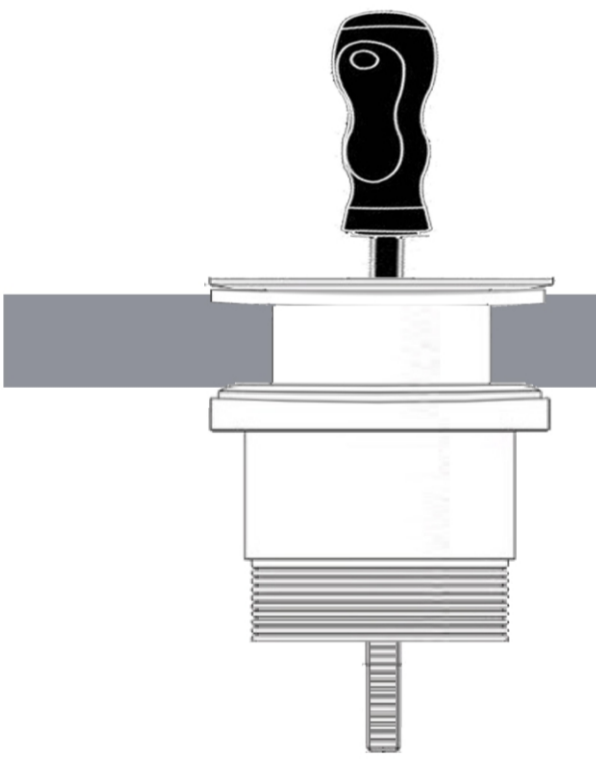
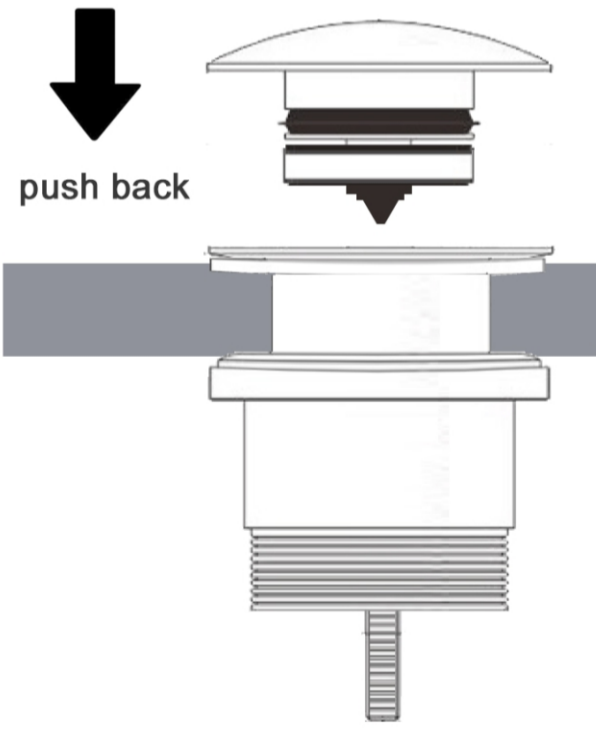
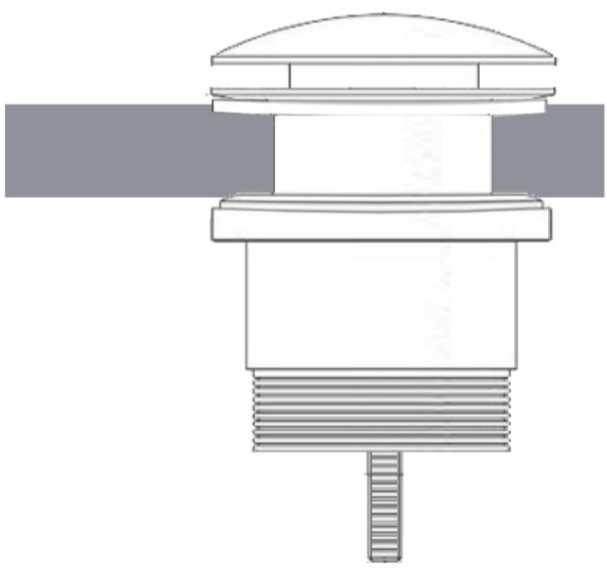
● Matte Black
NRA471MB

Packaging Includes

1x pop up waste

*Dimensions are nominal measurements only.

Installation Instruction

 <p>cap pull out waste housing thread rod</p> <p>1. Disassemble pop-up waste by pulling out the cap and unscrewing the housing from the thread rod.</p>	 <p>white foam washer</p> <p>2. Put waste through in basin hole and make white foam washer fitted to upper side of the basin.</p>	 <p>screw silicone washer</p> <p>3. Put the housing covering on basin hole at bottom side. Screw thread rod through waste and housing in a row.</p>
 <p>4. Tighten up the thread rod by screw driver.</p>	 <p>push back</p> <p>5. Push back the cap.</p>	 <p>6. Finish, and check for leaks.</p>

Nero

info@nerotapware.com.au
nerotapware.com.au

11-13 Buontempo Road
Carrum Downs Vic 3201

