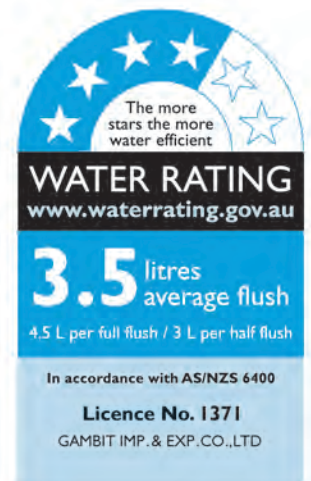
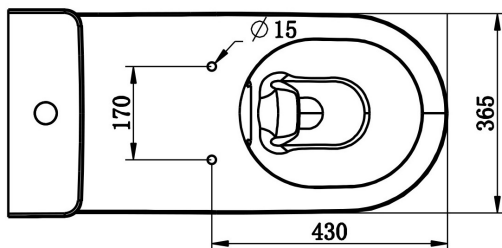
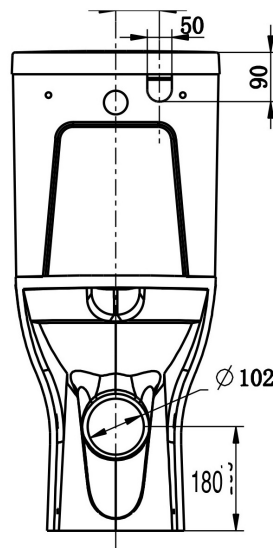
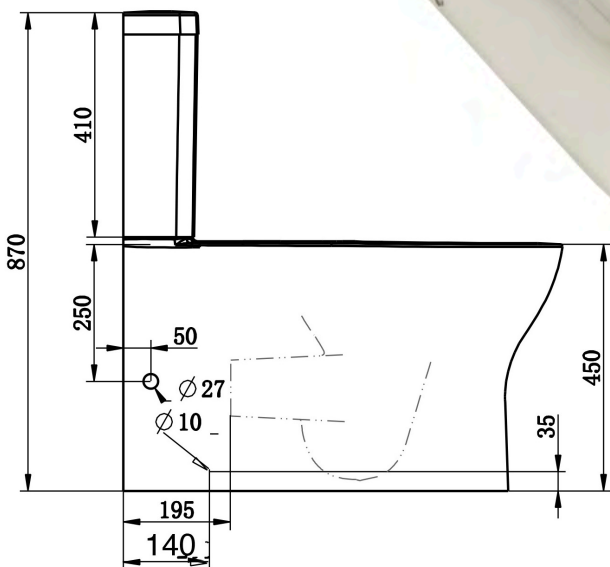


Castano

Bathroom and Kitchen Collection



Code POSWFCS

Positano 800 Ambulant height Care suite

- 450mm Ambulant Height Pan
- Interchangeable bottom & rear water inlet
- Interchangeable bottom L/R inlet
- Set out measurement for adjustable
- Bend 90-180mm
- (90mm - 150mm POSCOL)
- (150mm - 180mm SIEXCOL)
- Latest Rimless Flushing Technology
- Elegant symmetrical height cistern to match the pan 4 star 4.5/3 liters (3.3 litre average flush)
- 7 Year warranty
- High Quality UF seat
- WDI valves