

Wall Mounted Rangehood 90cm



Model: RH5CK91

- Stainless steel and Black Krystal glass construction
- 90cm wall-mounted rangehood
- Black glass control panel with illuminated control knob
- High Performance 900m³/h, 3 extraction speeds, Noise 57dbA
- Stainless steel baffle filters
- Two 1.5w LED lamps
- Optional carbon filters available for recirculating installation - Order KDCF00B
- This appliance comes with a 10A plug and cord ready for plug in and use



Low Energy Motor



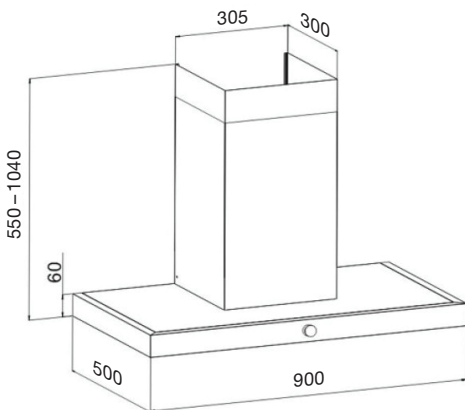
Whisper



Stainless Steel Baffle Filters



10A Plug Ready to use



These dimensions are provided as a general guide only and should not be used for designing or constructing cabinetry or for installation.

To obtain full installation instructions for this appliance go to kleenmaid.com.au and click on User Care Manuals, top right.

Level 2, 204 Botany Road, Alexandria NSW, 2015
P: 02 9310 1207 • E: support@kleenmaid.com.au
www.kleenmaid.com.au



Fineline :0190879

J12761_01

kleenmaid
The best you can own