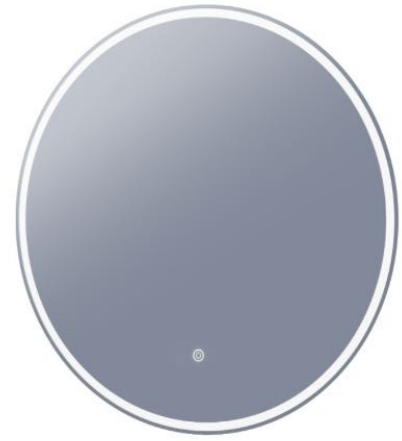


## Sphere 800

S80



### Dimension (mm):

Diameter	800
Depth	35

### Features:

LED Lighting	✓
Copper Free Mirror	✓

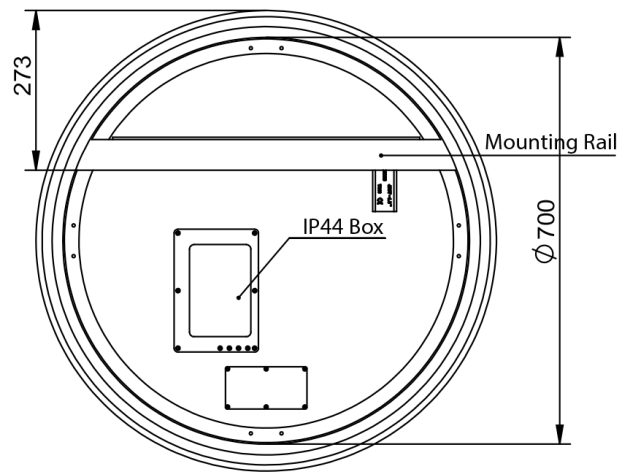
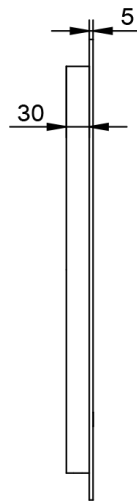
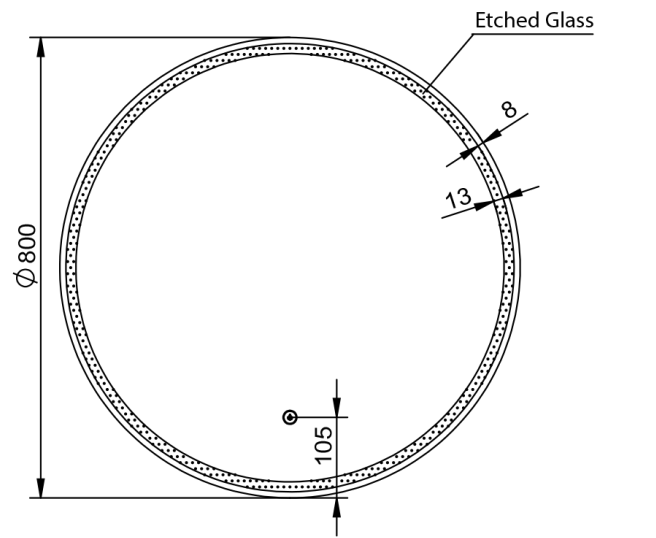
### Optional Extra:

#### Coloured Aluminium Frame (810mm x 810mm x 40mm)

Matt Black	●	S80-MB
Gun Metal	●	S80-GM
Brushed Nickel	●	S80-BN
Rose Gold	●	S80-RG
Brushed Brass	●	S80-BB

#### Coloured Concrete Frame (860mm x 860mm x 50mm)

Ash	●	S80-CA
Desert	●	S80-CD
Nickel	●	S80-CN
Stone	●	S80-CS
Taupe	●	S80-CT
Coal	●	S80-CC



\*Coloured frame is not included in this spec

**Please note: Must be installed by a licensed electrician in accordance with local regulations**

To clean this mirror, wipe it with a soft microfiber cloth or a lint free cloth that has been rinsed in warm water and wrung out well, then rub the mirror gently with a soft dry cloth.

PLEASE do not use glass or window cleaner, or other cleaners with chemical agents. These may damage the silver coating and brown marks can result.

Please confirm all particulars with your sales consultant or refer to our website for more information prior to purchase.