

# SPHERE 800DB

## LED MIRROR

PRODUCT CODE

S80DB

### SPECIFICATIONS

WIDTH	800mm
HEIGHT	800mm
DEPTH	40mm
WEIGHT	11kg

### FEATURES

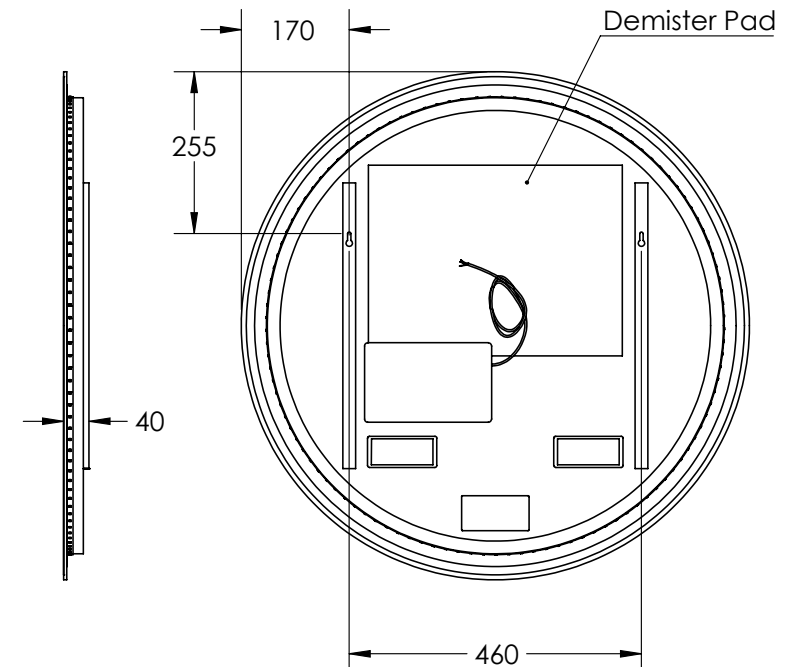
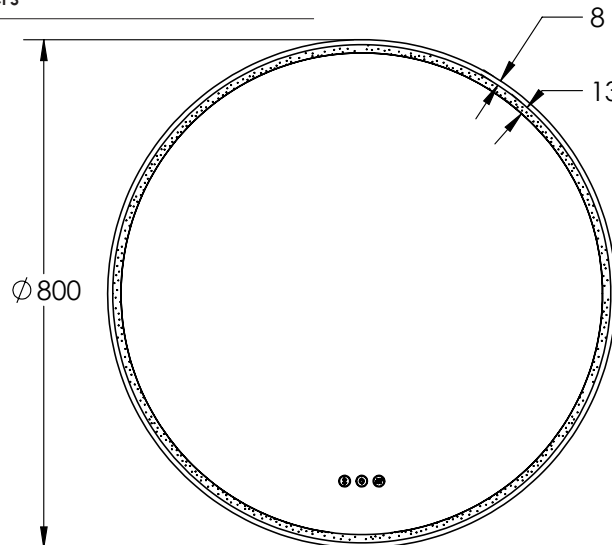
Copper Free Mirror
LED Lighting (Adjustable Colour Temperature)
Backlit
Touch Sensor
Demister with 1 Hour Auto Cut-off
Bluetooth Speakers

### LIGHTING SPECIFICATIONS

CCT	2700K - 6500K
CRI	>80

### INSTALLATION

Wall mount
Hardwire
Input voltage: 220-240v 50Hz



Disclaimer: All LED Products requiring hardwiring must be installed by a licensed electrician in accordance with local regulations. Sizes are in mm and nominal and should be checked prior to installation. Actual colours may vary so please check colour samples before ordering. Installation is acceptance of our products. Installation of faulty, warped, chipped or damaged products will void our warranty.

# SPHERE 800DB

## LED MIRROR WITH ALUMINIUM FRAME

### SPECIFICATIONS

WIDTH	810mm
HEIGHT	810mm
DEPTH	45mm
WEIGHT	12kg

### LIGHTING SPECIFICATIONS

CCT	2700K - 6500K
CRI	>80

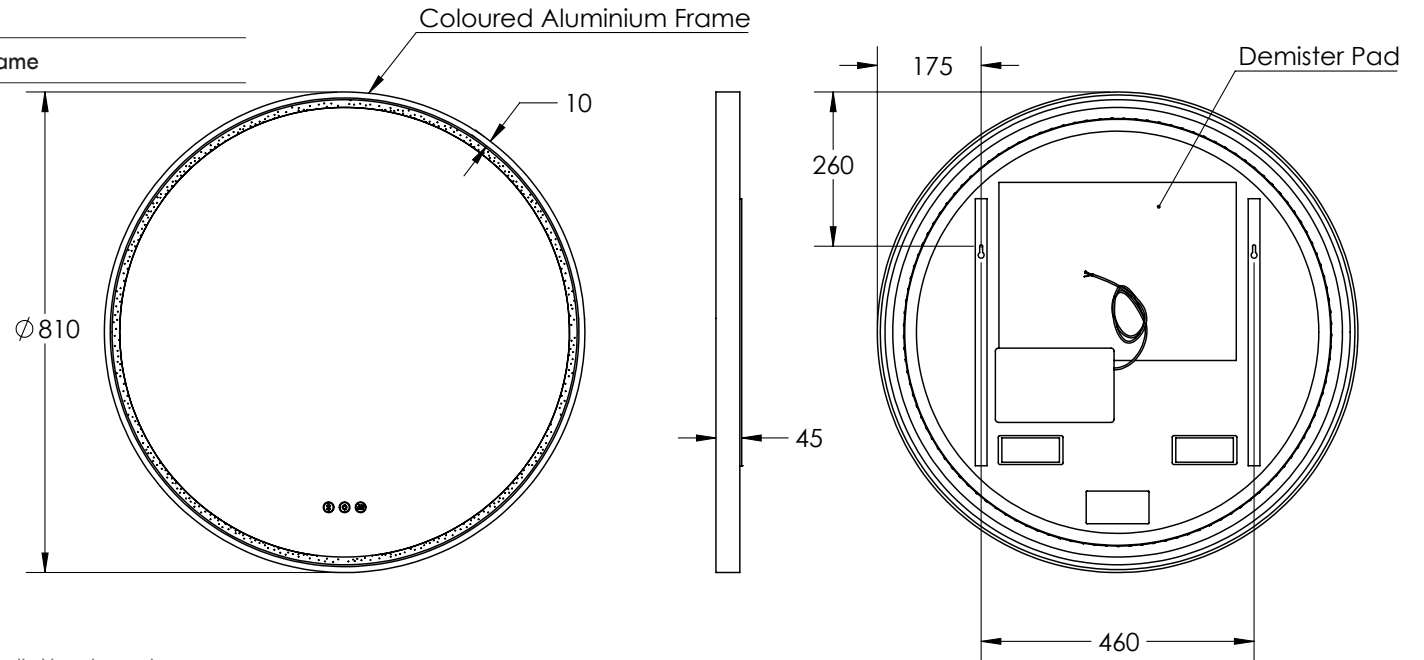
### INSTALLATION

Wall mount
Hardwire
Input voltage: 220-240v 50Hz

### FEATURES

- Copper Free Mirror
- LED Lighting (Adjustable Colour Temperature)
- Frontlit
- Touch Sensor
- Demister with 1 Hour Auto Cut-off
- Bluetooth Speakers
- Coloured Aluminium Frame

FINISH		PRODUCT CODE
Brushed Brass		S80DB-BB
Brushed Nickel		S80DB-BN
Gun Metal		S80DB-GM
Matte Black		S80DB-MB
Matte White		S80DB-MW



Disclaimer: All LED Products requiring hardwiring must be installed by a licensed electrician in accordance with local regulations. Sizes are in mm and nominal and should be checked prior to installation. Actual colours may vary so please check colour samples before ordering. Installation is acceptance of our products. Installation of faulty, warped, chipped or damaged products will void our warranty.