

S-SERIES: ROUND SHAPE

LED MIRROR

SPECIFICATIONS

| | |
|--------------|----------------------------|
| WIDTH | 800mm |
| HEIGHT | 800mm |
| DEPTH | from 35-40mm |
| TOTAL WEIGHT | Less than or equal to 20kg |

AVAILABLE FEATURES

| |
|--------------------|
| Copper Free Mirror |
| LED Lighting |
| Backlit |
| Portrait/Landscape |

OPTIONAL UPGRADES

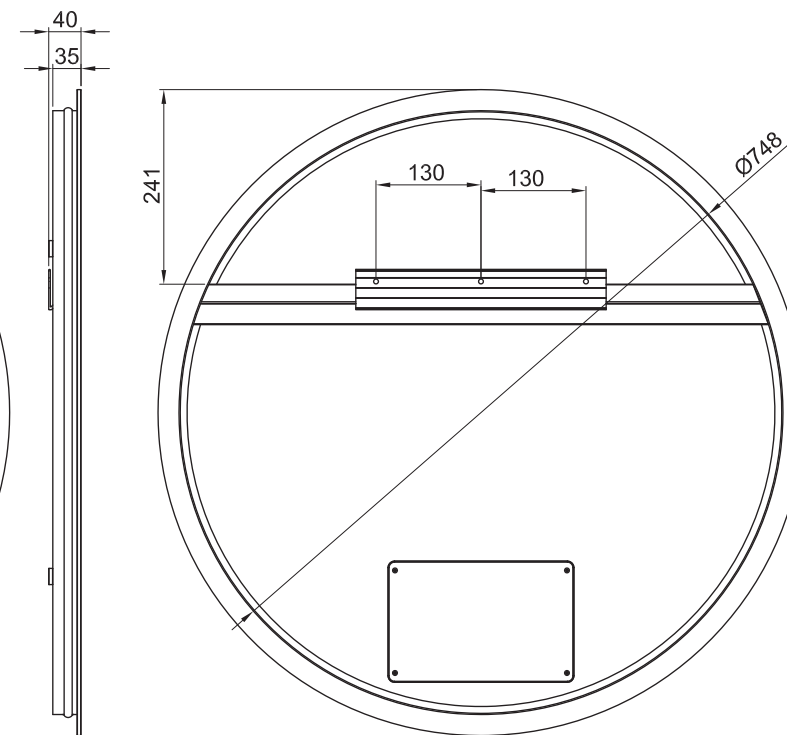
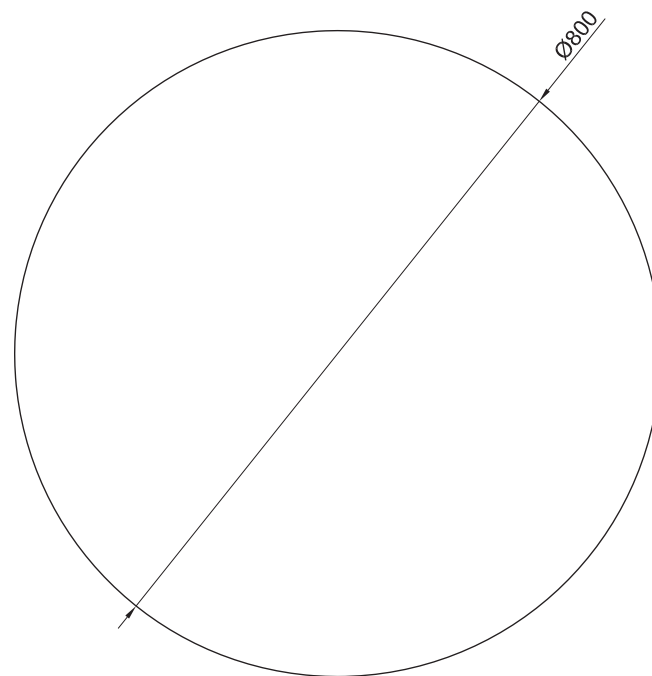
| |
|-------------------------------|
| Bluetooth |
| Demister |
| Adjustable Colour Temperature |
| Touch sensor |

LIGHTING SPECIFICATIONS

| CRI | >80 |
|----------------|------------|
| CCT OPTIONS | |
| Warm White | 2700K |
| Remer Standard | 4000K |
| Cool White | 6500K |
| | 2700-6500K |

INSTALLATION

| |
|------------------------------|
| Wall mount |
| Input voltage: 220-240v 50Hz |



Sizes are in mm and nominal and should be checked prior to installation. Actual colours may vary so please check colour samples before ordering. Installation is acceptance of our products. Installation of faulty, warped, chipped or damaged products will void our warranty.

S-SERIES: ROUND SHAPE

LED MIRROR WITH COLOURED ALUMINIUM FRAME

PRODUCT CODE
SN80 – BB/BN/GM/MB/MW

| SPECIFICATIONS | |
|----------------|----------------------------|
| WIDTH | 805mm |
| HEIGHT | 805mm |
| DEPTH | from 38-43mm |
| TOTAL WEIGHT | Less than or equal to 20kg |

| AVAILABLE FEATURES |
|--------------------|
| Copper Free Mirror |
| LED Lighting |
| Backlit |
| Portrait/Landscape |

| OPTIONAL UPGRADES |
|-------------------------------|
| Bluetooth |
| Demister |
| Adjustable Colour Temperature |
| Touch sensor |

| LIGHTING SPECIFICATIONS | |
|-------------------------|------------|
| CRI | >80 |
| CCT OPTIONS | |
| Warm White | 2700K |
| Remer Standard | 4000K |
| Cool White | 6500K |
| | 2700-6500K |

| INSTALLATION |
|------------------------------|
| Wall mount |
| Input voltage: 220-240v 50Hz |



Sizes are in mm and nominal and should be checked prior to installation. Actual colours may vary so please check colour samples before ordering. Installation is acceptance of our products. Installation of faulty, warped, chipped or damaged products will void our warranty.

