

ARKO WALL FACED

CERAMIC TOILET SUITE



Ceramic wall faced toilet suite Clean Flush, Nanoglaze, Easy Care Height

- Stylish minimalist design with curved pan, sits flat against wall
- Clean Flush rimless pan design for an efficient, powerful flush
- Easy care height, pan height 420 mm
- White vitreous china with nanoglaze surface, easy to clean
- Soft-closing, easy-clean quick release seat with stainless steel pins
- S or P trap
- Universal cistern, suits back entry or bottom entry plumbing

ORDER CODE	191754	Arko WF, Deluxe seat	Old code: STO-304-07
	191748	Arko WF, Slim seat	Old code: STO-304-01
	191752	Arko WF, Flat seat	Old code: n/a
	191750	Arko WF, Classic seat	Old code: STO-304-03

CISTERN Universal, suits back entry inlet or bottom entry plumbing. Left and right bottom entry inlet points.

PAN Wall faced close coupled with rimless pan design.

TRAPS Universal trap, suitable for S or P trap installations.

SEAT Quick release seat with stainless steel hinges, soft closing.

WELS 4 star rating 4.5/3 litre water saving flush.

SETOUT Variable 80-190mm using supplied connector; 150mm recommended.

FIXING This is a close coupled toilet suite — the cistern is fixed directly to the pan and does not require wall fixing.

Pan may be bedded with cement base or using silicone sealant.

TOILET SEAT OPTIONS



- DELUXE SEAT (40mm lid)**
- Premium quality
 - Easy to clean, anti-scratch
 - Rigid, ceramic-like surface
 - Made from Thermoset (UF)



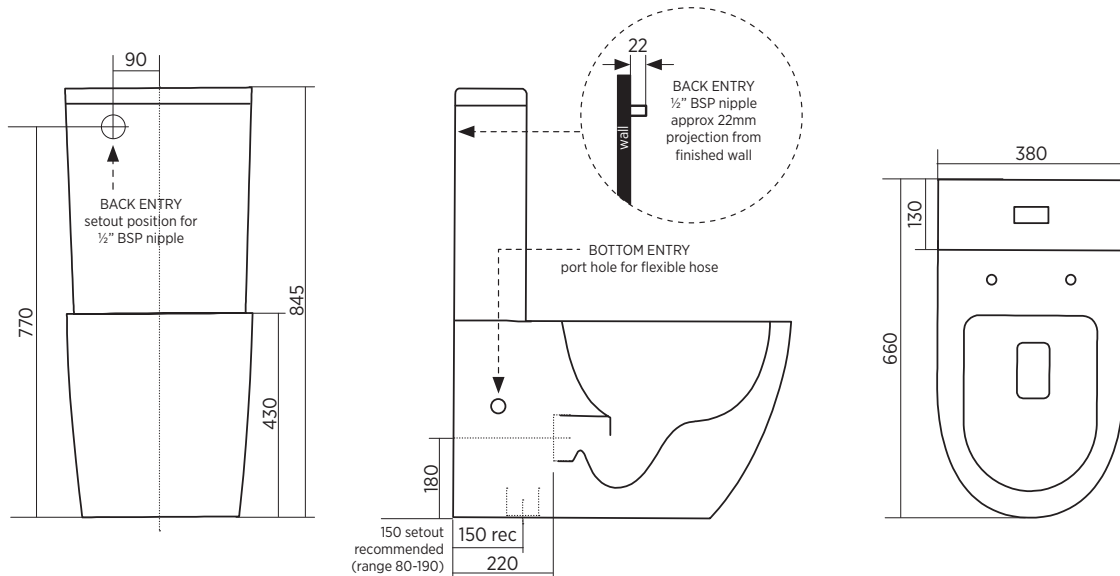
- SLIM SEAT (20mm lid)**
- Premium quality
 - Easy to clean, anti-scratch
 - Rigid, ceramic-like surface
 - Made from Thermoset (UF)



- FLAT SEAT**
- Premium quality
 - Easy to clean, anti-scratch
 - Rigid, ceramic-like surface
 - Made from Thermoset (UF)



- CLASSIC SEAT (40mm lid)**
- Lightweight, shiny finish
 - Easy to clean
 - Rigid, ceramic-like surface
 - Made from Thermoplastic (PP)



- Rimless Clean Flush pan - for an efficient, powerful flush.
- Nanoglaze surface - ultra-smooth, anti-bacterial, easy to clean.
- Easy care height - making it easier to get on and off the seat.

SEIMA

bathroom | kitchen | laundry

seima.com.au

Please note

- Installation shall be in accordance with AS/NZS3500.
- All measurements are in millimetres. Height dimensions are to base of pan. Make allowance for bedding.
- Bedding: Pan may be bedded with cement base or using silicone sealant. Fix pan to floor using a sand cement mixture of 3:1 to a depth of 60mm. Do not use lime or fast-drying cement.
- Bracket fixing: The pan should be bedded with silicone sealant and fixed with the brackets supplied. Do NOT use epoxy type adhesives.
- Dimensions are nominal and subject to normal ceramic manufacturing variations.
- Specifications may vary without notice as part of our continuous improvement practices.
- Clean with a damp cloth. Do not use abrasive cleaners, liquids or pastes.

arko-wf-ds | v 5.0