

TCH 90X-L

90cm Canopy Hood



90cm Canopy Hood

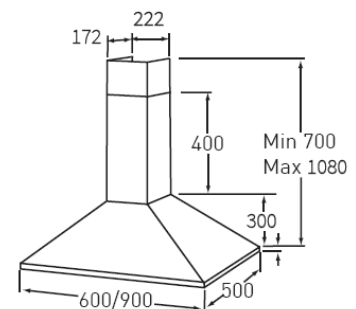
Features and Benefits:

LED Lamps	Giving extra light when needed in the kitchen
500 m3/h extraction	Removes cooking odours with ease
3 Speed Settings	Depending on what you're cooking and can vary the amount of suction as required
Aluminium Filters	Dishwasher safe

Technical Specifications:

Extraction Rate	500 m3/h
Speed Settings	3
Lighting Type / Position	LED / Rear
Control Type	Push Button
Colour	Stainless Steel
Filter Type	Aluminum
Dimensions (W) x (H) x (D)	900 x 755-1080 x 500

Technical	
Connection	220-240V~ / 50Hz
Ducting Outlet	150mm



Distributed by Arisit Pty Ltd

40-44 Mark Anthony Drive, Dandenong South VIC 3175 Ph: 1300 762 219 Fax: 03 9768 0838 Website: www.arisit.com