



# W Collection

## W7MWBLAUS

### 40L CRISP BUILT-IN MICROWAVE OVEN



## FEATURES & BENEFITS



### 6TH SENSE TECHNOLOGY

No more guesswork. Simply pick your recipes, and let 6th SENSE cook them to perfection, every time. Up to 78 cooking combinations organized to fit your lifestyle and diet, for a full assisted cooking experience.



### CRISP FRY

Unbeatable crispness with less oil. This Whirlpool Microwave's Crisp function and dedicated pan ensures you can cook the crispiest pizza, pie or quiche, anytime.



### STEAM & BOIL

Harnessing the natural power of steam, this convenient programme keeps flavours and nutrients sealed in, and steams or boils food in a set of special accessories for easier preparation and faster, tastier results.



### FORCED AIR

Preheated air is circulated inside using an innovative convection system, giving you moist, juicy cooking results.



### SMART CLEAN

Healthy, steamed meals, anytime. Steam technology provides the healthiest, tastiest recipes, at the touch of a button.



### ASSISTED DISPLAY

Provides clear, common-sense instructions for easy microwave cooking.



### WARRANTY

Guarantees peace of mind and value for money knowing that any product fault or defect is covered by full replacement parts and/or a service call to ensure the product works as described.

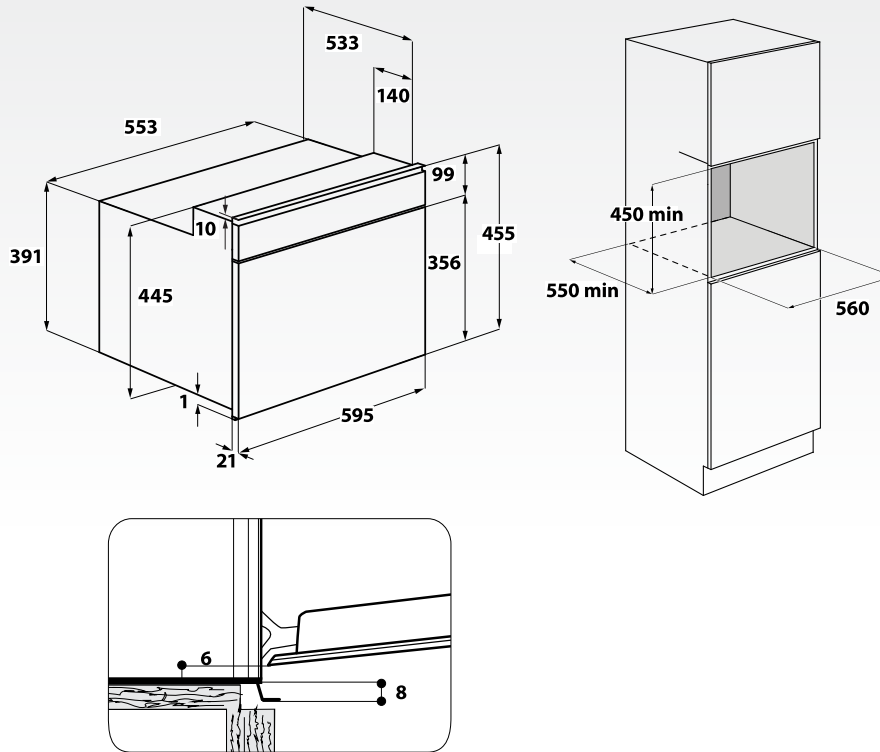
## TECHNICAL SPECIFICATIONS

COLOUR/FINISH	Fingerprint Resistant Black Glass
DISPLAY	LCD
CONTROL	Electronic Touch Sensor
DOOR / HANDLE DESIGN	Full Glass Soft Closing Door with Stainless Handle
CAVITY TYPE	Stainless Steel
CAPACITY	40 litres
TURNTABLE	400mm
PRODUCT DIMENSION	W 595mm x H 455mm x D 554mm (535mm*)
CUT OUT DIMENSION	W 556mm x H 450mm x D 550mm
PROGRAMMES	6th Sense Steam, 6th Sense Reheat, 6th Sense Cooking, Crisp Fry, Microwave, Crisp, Grill, Turbo Grill, Turbo Grill+Microwave, Grill+Microwave, Forced Air, Forced Air+Microwave, Keep Warm, Rising, Jet Defrost, Jet Bread Defrost, Fast Pre-heat, Browning/Doneness
FEATURES	Favorites, Timer, Delayed Start/Stop, Child Lock, Acoustic Signal, Residual Heat Indicator
POWER LEVELS	7 Power Levels
MICROWAVE POWER	900W
GRILL POWER	1600W
ACCESSORIES	Glass Turntable, Turntable Support, Crisp Plate, Wire Rack, Baking Tray, Steamer, Crisp Handle
POWER	2800 W
VOLTAGE	230 V
CURRENT	16A
FREQUENCY	50/60Hz
LENGTH OF CORD	135cm
GROSS WEIGHT	33.4kg
NET WEIGHT	29.7kg
PLACE OF MANUFACTURE	Italy

DISTRIBUTED BY ARISIT PTY LTD

40-50 Mark Anthony Drive, Dandenong South VIC 3175  
Ph: 1300 762 219 Fax: 03 9768 0838 Website: www.arisit.com

## INSTALLATION GUIDE



## CONTROL PANEL

